

4

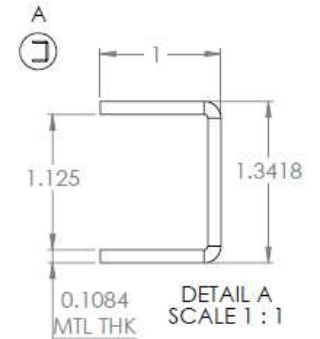
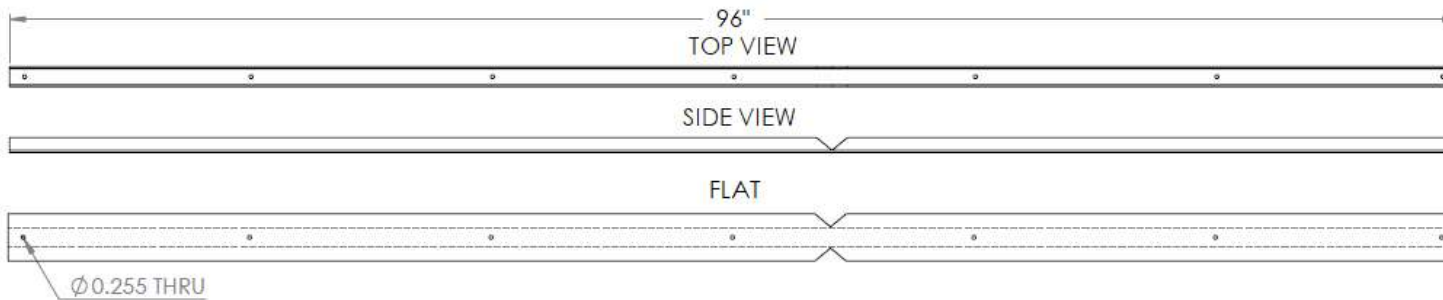
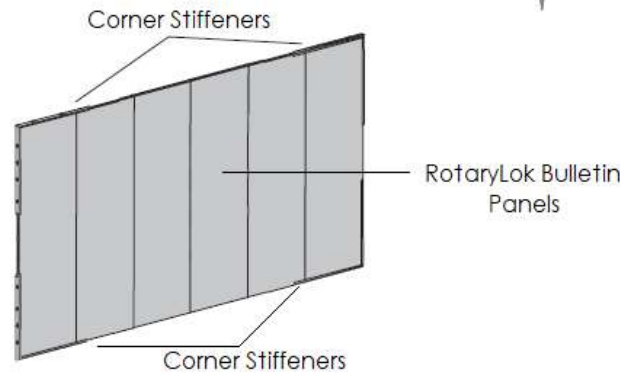
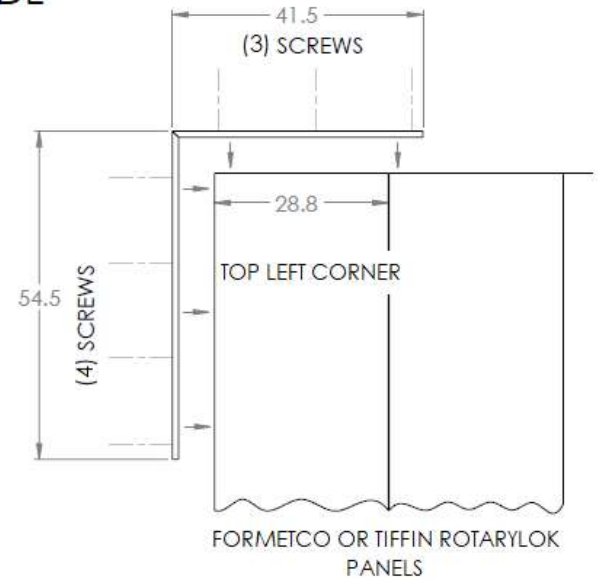
3

2

1

CORNER STIFFENER INSTALLATION GUIDE

- STEP 1: Fold the straight 8' Corner Stiffener at the notched area to form an "L" shape.
- STEP 2: Straighten the dog-eared Formetco or Tiffin RotaryLok Panel if needed, then position the stiffener so the short 41.5" leg caps the bottom or top of the panels, while the long 54.5" leg caps the sides of the panels.
- STEP 3: Secure the stiffener to the corner with the supplied screws.
- STEP 4: Repeat steps 1 thru 3 for the remaining stiffeners.



UNLESS OTHERWISE SPECIFIED
 DIMENSIONS ARE IN INCHES
 TOLERANCES
 FRACTIONAL ± 1/16"
 ANGULAR BEND ± 2°



2963 Pleasant Hill Road
 Duluth, GA 30096

PROPRIETARY AND CONFIDENTIAL THE INFORMATION CONTAINED IN THIS DRAWING IS THE SOLE PROPERTY OF FORMETCO. ANY REPRODUCTION IN PART OR AS A WHOLE WITHOUT THE WRITTEN PERMISSION OF FORMETCO IS PROHIBITED.	MATERIAL	12 GA STEEL	CREATED	BJJ	DATE	SIZE	DRAWING NUMBER ROTARYLOK CORNER STIFFENER	REVISION A
	MATERIAL FINISH	GALVANIZED	5/6/2016	3:32:57 PM	B			
	DO NOT SCALE DRAWING	UPDATED	Tuesday, July 12, 2022 3:07:46 PM	WEIGHT:	SHEET 1 OF 1			

4

3

2

1