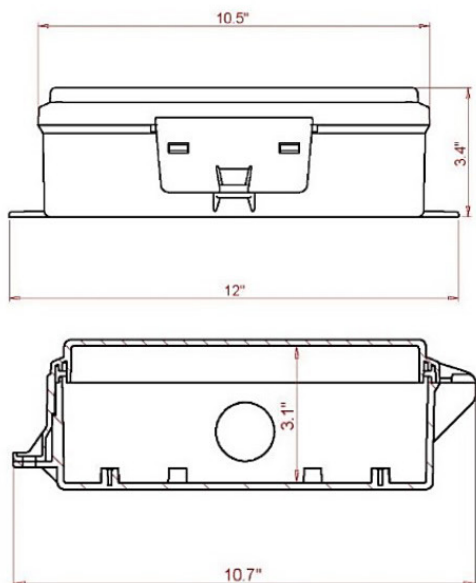


# SMARTLINK TIME CONTROLLERS



**SmartLink removes the guesswork out of managing powered amenities and offsets the need for in-person site checks. Through its cellular-based connectivity, SmartLink gives users full control and visibility to assets from any computer or mobile device.**

## SmartLink™ SL-1-AC Controller

The SL-1-AC is an M2M controller that can manage one device and includes a weather resistant polycarbonate enclosure with tamper alarm. The SL-1-AC is great for managing AC powered assets such as billboard illumination, area lighting, kiosks, digital displays, and transit amenities.

## SmartLink™ SL-2-DC Controller

The SL-2-DC is an M2M controller with special features for managing solar powered amenities such as voltage threshold triggers and remotely dimming. The SL-2-DC can manage two assets at different voltage inputs / outputs which makes it a great model for managing solar lighting, digital displays, media players and routers.

### Features and Benefits

- One relay output
- Schedule Options include Sunset to Sunrise, Always On, or Specific Times
- 10.5" x 9" x 3.4", Polycarbonate
- Input Voltage of 12A max at 120Vac, 10A max at 240Vac
- Output Voltage of 12A max at 120Vac, 10A max at 240Vac

### Features and Benefits

- Two relay outputs
- Schedule Options include Sunset to Sunrise, Always On, or Specific Times
- 5.82" x 3.3" x .65", Polycarbonate
- Input Voltage of 4A max at 5-30Vdc per relay
- Output Voltage of 4A max at 5-30Vdc per relay

# SMARTLINK TIME CONTROLLERS

## SmartLink™ SL-4-AC Controller

The SL-4-AC is an M2M controller that can manage up to four devices and includes a weather resistant polycarbonate enclosure with tamper alarm. The SL-4-AC is great for managing multiple devices at one location, such as billboard illumination, area lighting, kiosks, digital displays, and transit amenities.

### Features and Benefits

- Four relay outputs
- Schedule Options include Sunset to Sunrise, Always On, or Specific Times
- 10.5" x 9" x 3.4", Polycarbonate
- Input Voltage of 30A max at 120-240Vac, 50-60hz
- Output Voltage of 17A max at 120-240Vac

## SmartLink™ SL-4-DC Controller

The SL-4-DC is an M2M controller that can manage up to four devices and includes a weather resistant polycarbonate enclosure with tamper alarm. The SL-4-DC is great for managing multiple devices at one location, such as billboard illumination, area lighting, kiosks, digital displays, and transit amenities.

### Features and Benefits

- Four relay outputs
- Schedule Options include Sunset to Sunrise, Always On, or Specific Times
- 10.5" x 9" x 3.4", Polycarbonate
- Input Voltage of 30A max at 11-28Vdc
- Output Voltage of 7.5A max 11-28Vdc

## SmartLink™ Vantage Controller

The SmartLink Vantage is the newest addition to the SmartLink collection and offers the latest in virtual content verification. The SmartLink Vantage communicates over the same independent cellular network as other SmartLink controllers, and through an optical sensor, verifies whether content on an LCD display is accurate.

### Features and Benefits

- Two relay outputs
- Schedule Options include Sunset to Sunrise, Always On, or Specific Times
- 5.8" x 3.3" x .65", Polycarbonate
- Input Voltage of 4A max at 8-28Vdc per relay
- Output Voltage of 4A max at 8-28Vdc per relay