

CONDUIT LIGHT ARMS AND SUPPORT BRACKETS FOR LED FIXTURES

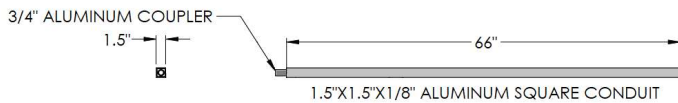
WHEN INSTALLING NEW LED BILLBOARD LIGHT FIXTURES, FORMETCO HAS YOU COVERED

CONDUIT LIGHT ARMS

Poster Light Arms

Part #: CONDUITSQ1.5X66-ALUM

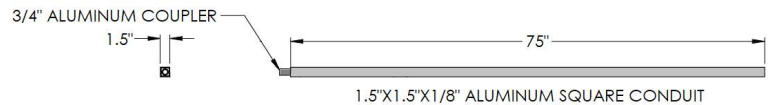
Part #: CONDUITSQ1.5X66-ALUMPW (7.5" PREWIRE)



Bulletin Light Arms

Part #: CONDUITSQ1.5X75-ALUM

Part #: CONDUITSQ1.5X75-ALUMPW (8.3" PREWIRE)



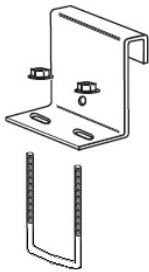
Features and Benefits:

- Made of 1.5" square aluminum tubing for ease of installation and to eliminate fixture roll overs
- 3/4" threaded coupler welded in place for quick connection of flexible conduit
- Available in two lengths; 66" for Poster Panels and 75" for Bulletins
- Optional pre-wired light arms available
- Custom light arms for top-mount and wall-mount applications available

CONDUIT SUPPORT BRACKETS

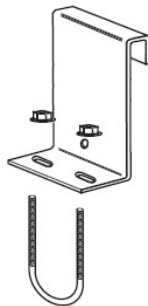
3" Angle Iron Conduit Support Bracket

Part #: CONDUITBKTA13



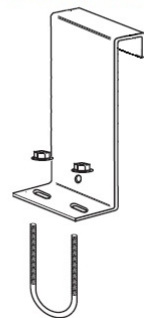
4" Angle Iron Conduit Support Bracket

Part #: CONDUITBKTA14



6" FormaTred Conduit Support Bracket

Part #: CONDUITBKFT6



Features and Benefits:

- Made of 12 ga. galvanized steel for strength and longevity
- Designed to hang over 3" and 4" angle iron kickrails to eliminate catwalk trip fall hazards
- Exclusive 6" brackets for Formetco FormaTred catwalk kickrails
- Available with 5/16" x 4" round or square U-bolts with 5/16" serrated flange lock nuts
- Two brackets required per light arm

CONDUIT LIGHT ARMS AND SUPPORT BRACKETS FOR LED FIXTURES

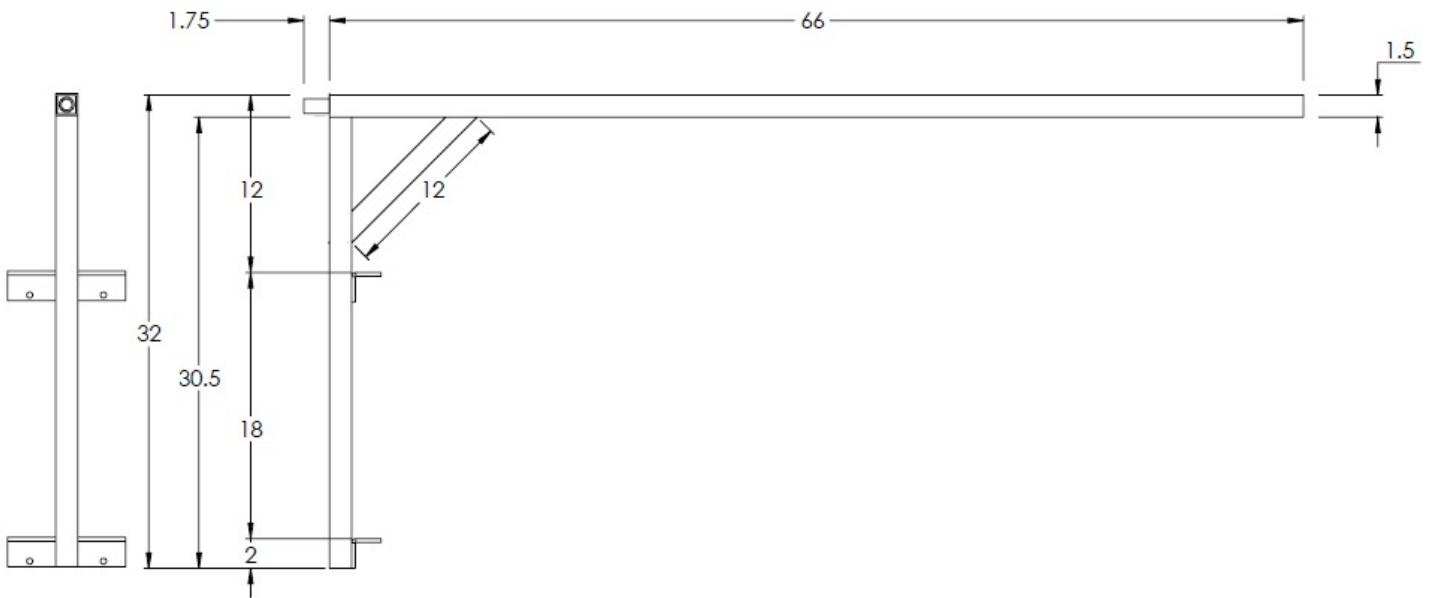
WHEN INSTALLING NEW LED BILLBOARD LIGHT FIXTURES, FORMETCO HAS YOU COVERED

CUSTOM LIGHT ARMS FOR TOP, BOTTOM, OR WALL-MOUNT LED FIXTURES

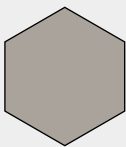
Formetco offers many types of aluminum light arms, in addition to the standard 66" and 75" which are typically attached to the underside of catwalks. These custom light arms are great for billboards and wallscapes without catwalks. Available with an optional 7-foot pre-wire and in three color choices; gray, brown, or black.

Junior and Poster Panel Light Arm

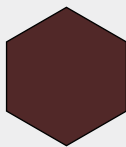
Great option when required to top-mount a light fixture on a poster panel. This product attaches to the back-side of the horizontal panels interlocking ribs with (4) 2" hook bolts.



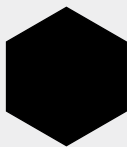
Color Options:



Gray



Brown



Black

Part Numbers:

CONDUITMPP66 – 66" Poster Panel Top-Mount Conduit

CONDUITBMPP66 – 66" Poster Panel Bottom-Mount Conduit

FORMETCO

2963 Pleasant Hill Road
Duluth, GA 30096

Tel: (800) 367-6382
Web: formetco.com

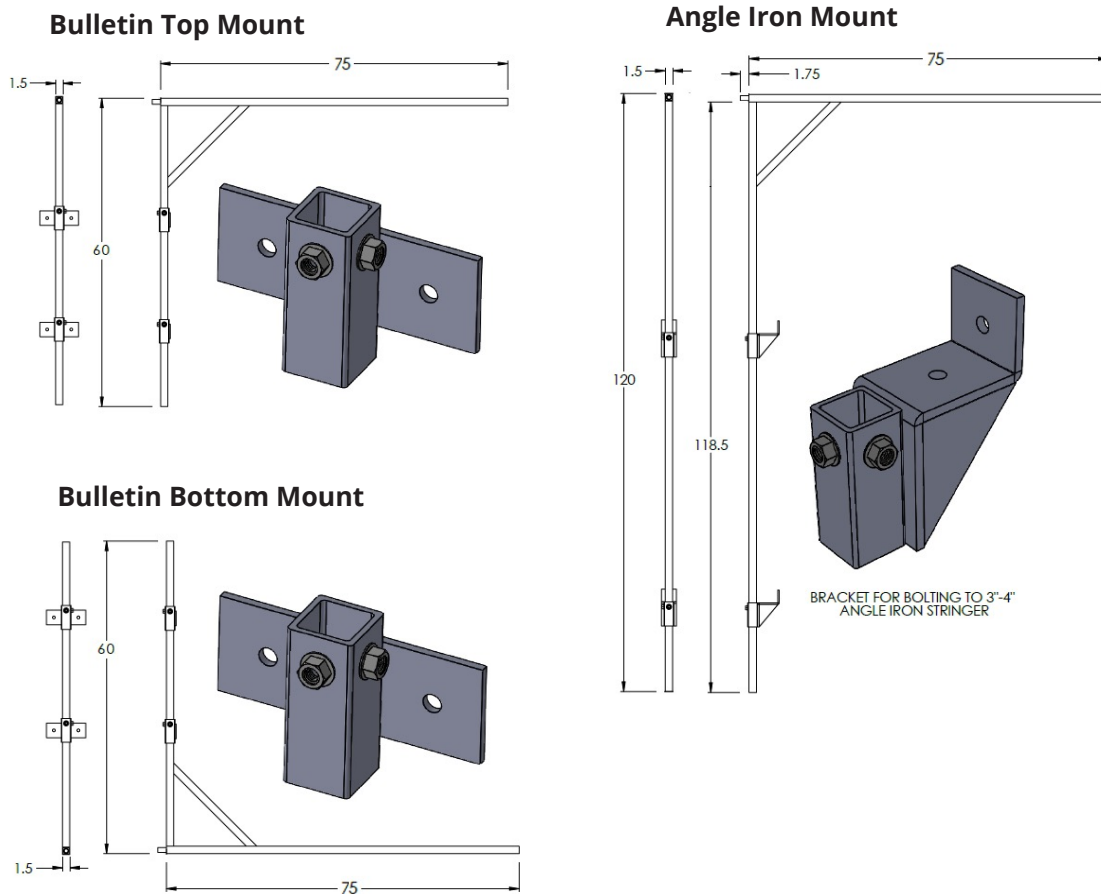
CONDUIT LIGHT ARMS AND SUPPORT BRACKETS FOR LED FIXTURES

WHEN INSTALLING NEW LED BILLBOARD LIGHT FIXTURES, FORMETCO HAS YOU COVERED

CUSTOM LIGHT ARMS FOR TOP, BOTTOM, OR WALL-MOUNT LED FIXTURES

Bulletin Light Arms

For bottom or top mounted light fixtures that will be bolted to I-beam faces, 2x6 wood stringers, wood posts, or angle-iron stringers.



Part Numbers:

CONDUITBTMTABSLEEVE60X75 - 75"X5' Bulletin Top/Bottom-Mount Conduit Adjustable

CONDUITBTMTABSLEEVE120X75 - 75"X10' Bulletin Top/Bottom-Mount Conduit Adjustable

CONDUITBM3INZCLIPADJ120X75 - 75"X10' Bulletin Top/Bottom-Mount Conduit Adjustable 3" Z-Clip

CONDUITBM4INZCLIPADJ120X75 - 75"X10' Bulletin Top/Bottom-Mount Conduit Adjustable 4" Z-Clip



2963 Pleasant Hill Road
Duluth, GA 30096

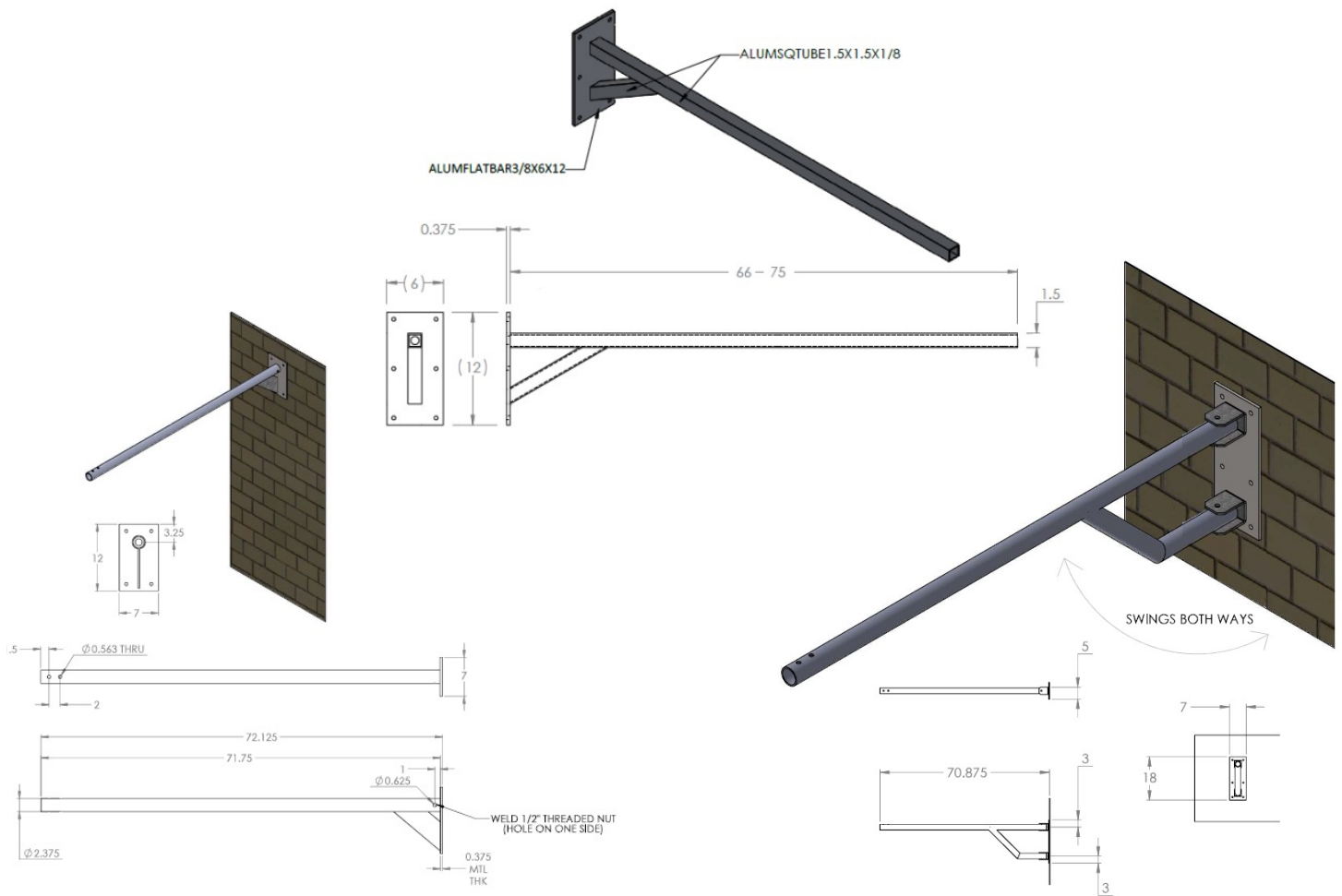
Tel: (800) 367-6382
Web: formetco.com

CONDUIT LIGHT ARMS AND SUPPORT BRACKETS FOR LED FIXTURES

WHEN INSTALLING NEW LED BILLBOARD LIGHT FIXTURES, FORMETCO HAS YOU COVERED

Wall Mount Light Arms

Designed to support LED light fixtures used to illuminate small and large WallScapes. Available in aluminum or steel depending on the size and weight of the fixture being used. Side swinging light arms allow the fixtures to be stored out of the way when using a building swing stage for copy change outs.



Part Numbers:

CONDUITWMSS70" - 70" Side Swinging Steel Light Arm - 2-3/8" Round O.D.

CONDUITWM6' - 72" Steel Light Arm - 2-3/8" Round O.D.



2963 Pleasant Hill Road
Duluth, GA 30096

Tel: (800) 367-6382
Web: formetco.com