

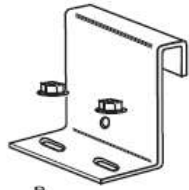
CONDUIT SUPPORT BRACKETS

4

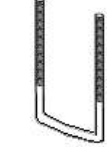
3

2

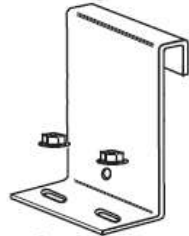
1



3" Angle Iron Conduit Support Bracket
PART #: *CONDUITBKTAI3



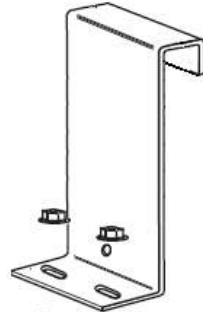
5/16" Serrated Flange Lock Nuts



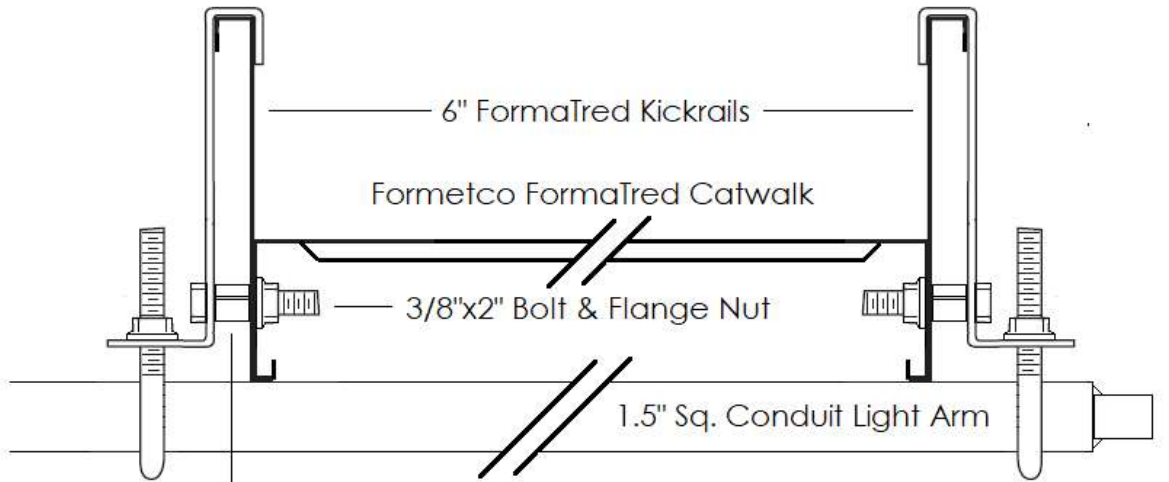
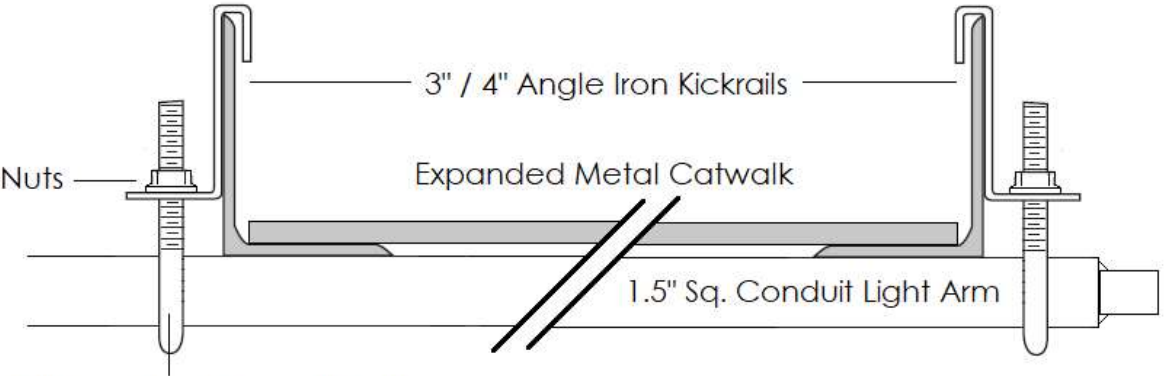
4" Angle Iron Conduit Support Bracket
PART #: *CONDUITBKTAI4



5/16"x4" Round or Square U-bolt



6" Formatred Conduit Support Bracket
PART #: *CONDUITBKFT6



3/8"x1" Spacer

UNLESS OTHERWISE SPECIFIED

DIMENSIONS ARE IN INCHES
TOLERANCES
FRACTIONAL ± 1/16"
ANGULAR BEND ± 2°



2963 Pleasant Hill Road
Duluth, GA 30096

PROPRIETARY AND CONFIDENTIAL THE INFORMATION CONTAINED IN THIS DRAWING IS THE SOLE PROPERTY OF FORMETCO. ANY REPRODUCTION IN PART OR AS A WHOLE WITHOUT THE WRITTEN PERMISSION OF FORMETCO IS PROHIBITED.	MATERIAL	12 ga Steel	CREATED	CA	DATE	SIZE	DRAWING NUMBER	REVISION
	MATERIAL FINISH	Galvanized	8/3/2022				Conduit Support Brkts.	A
DO NOT SCALE DRAWING	UPDATED:					WEIGHT:	SHEET 1 OF 1	

4

3

2

1

B

B

A

A