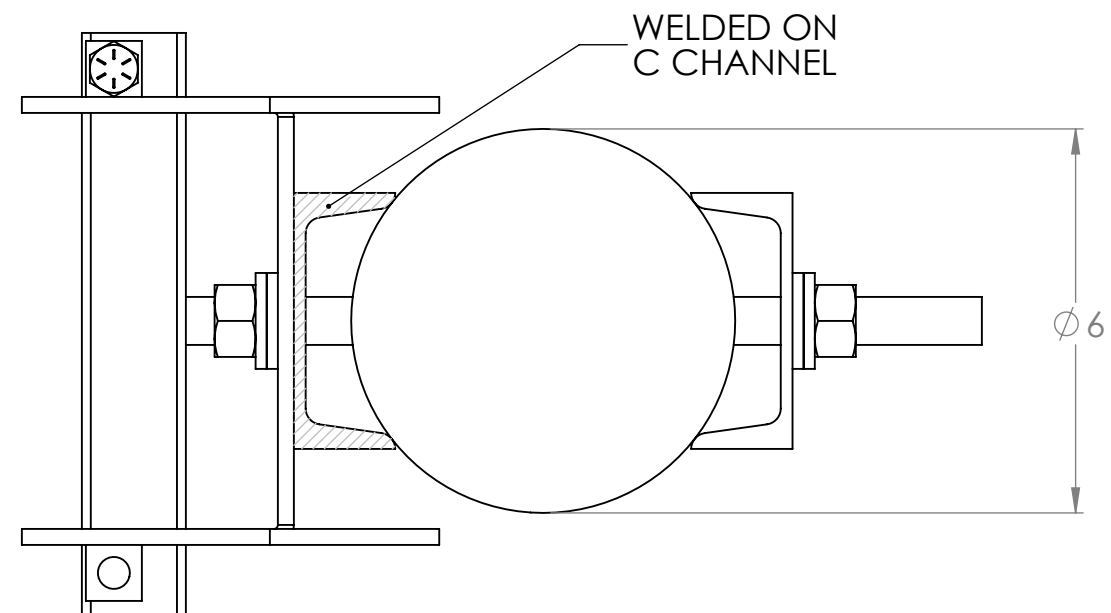
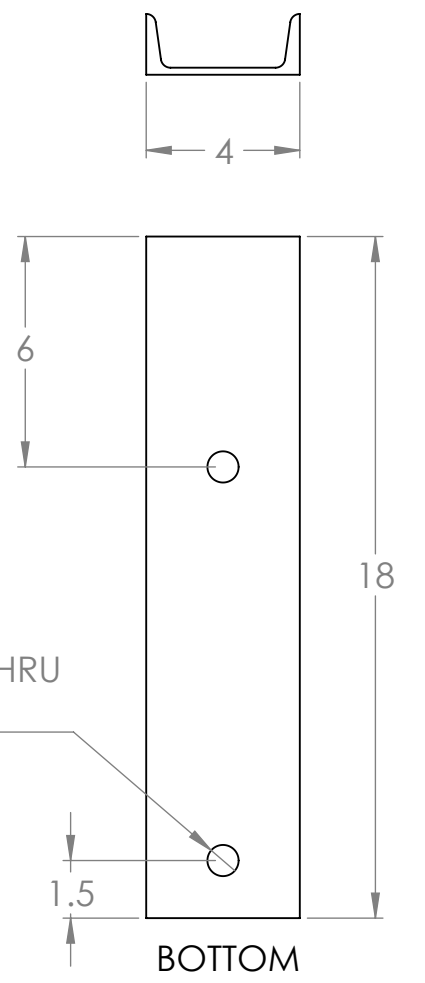
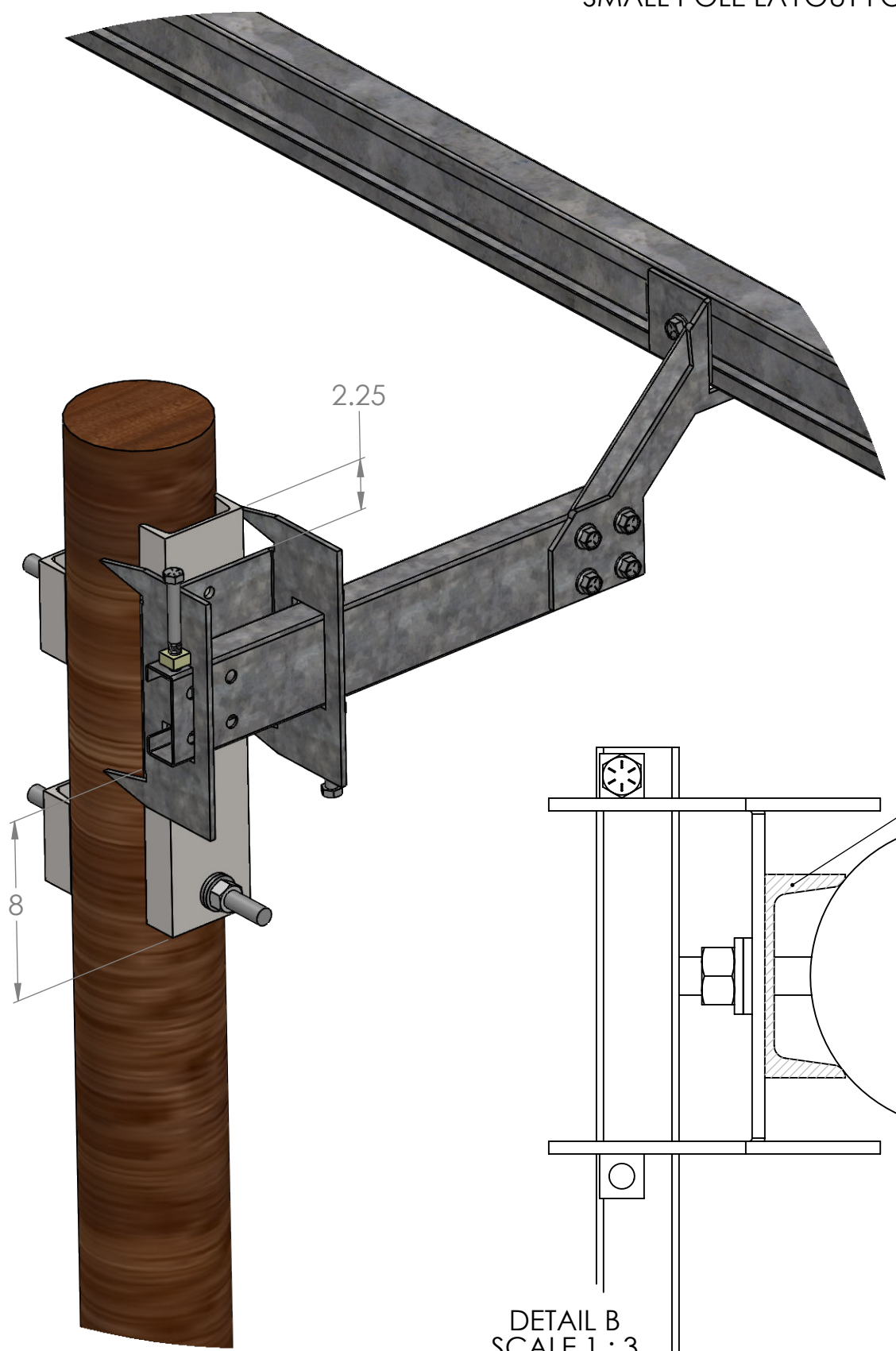
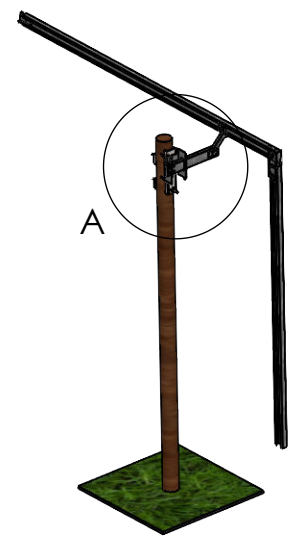


SMALL POLE LAYOUT FOR POLES SMALLER THAN 7" IN DIAMETER



DETAIL A
SCALE 1 : 6

DETAIL B
SCALE 1 : 3

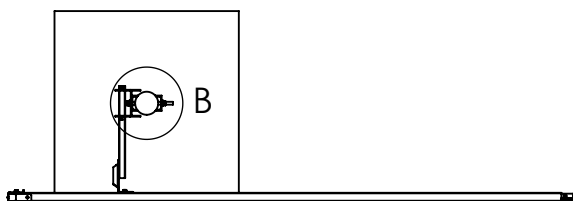
VERSION 1

2963 Pleasant Hill Road
Duluth, GA 30096



UNLESS OTHERWISE SPECIFIED
DIMENSIONS ARE IN INCHES
TOLERANCES
FRACTIONAL ± 1/16"
ANGULAR BEND ± 2°

PROPRIETARY AND CONFIDENTIAL THE INFORMATION CONTAINED IN THIS DRAWING IS THE SOLE PROPERTY OF FORMETCO. ANY REPRODUCTION IN PART OR AS A WHOLE WITHOUT THE WRITTEN PERMISSION OF FORMETCO IS PROHIBITED.	MATERIAL	STEEL	CREATED	BDJ	DATE	SIZE	DRAWING NUMBER POLE-WITH-HARDWARE-SMALL-POLE	REVISION A
	MATERIAL FINISH	PAINTED BLACK	8/13/2021 11:51:30 AM		B			
	DO NOT SCALE DRAWING	UPDATED	Friday, January 13, 2023 12:21:38 PM		WEIGHT:	SHEET 1 OF 1		



B

B

A

A

4

3

2

1

4

3

2

1