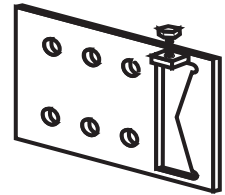


Forma-Tred Scaffold Support Plates

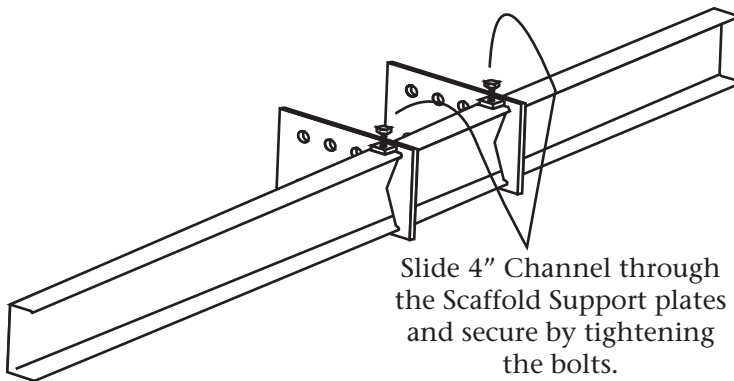
Scaffold Support Plate

Formetco Scaffold Support Plate, made of 1/4" steel plate, can be welded or bolted to each side of the I-beam upright. A 4" - 5.4 lb Channel Iron is inserted through the slots for supporting Forma-Tred Scaffold. The 4" - 5.4 lb Channel Iron can be used to support the Forma-Tred Scaffold on one side or for a back to back structure.



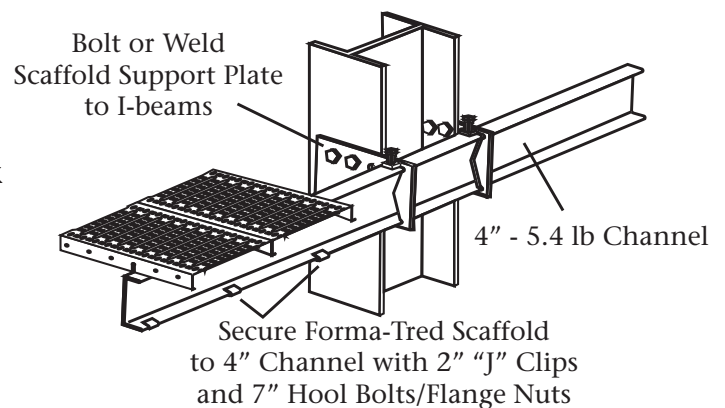
Scaffold Support Plate

When the channel iron is in position, tighten the attached bolts on the Support Channel to secure the channel iron in place.



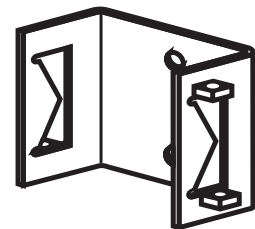
Slide 4" Channel through the Scaffold Support plates and secure by tightening the bolts.

Place the Forma-Tred Scaffolds on the channel irons and using 2" "J" Clips and the proper Hook Bolt/Nut secure the Forma-Tred Scaffold to the channel iron.



Scaffold Support "C" Bracket

The Scaffold Support "C" Bracket can be welded or bolted to the uprights. Slide a 4" - 5.4 lb. Channel through the slots to support Forma-Tred Scaffolds. It can be used for single face, rear walks or back-to-back scaffolds. Secure the channel iron by tightening one top bolt, then the opposite bottom bolt, top bolt above and then last bottom bolt.



Scaffold Support "C" Bracket

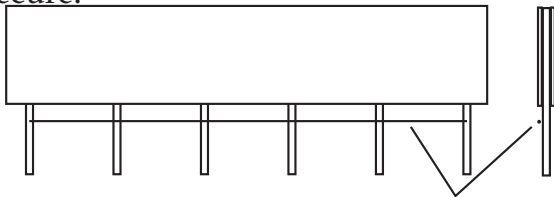
Forma-Tred Scaffold Support Assembly

Scaffold Support Assembly

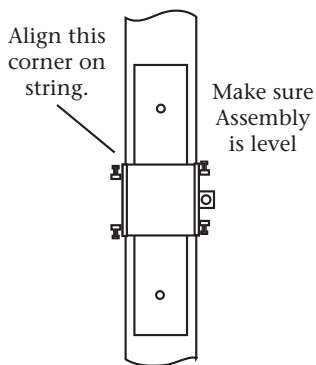
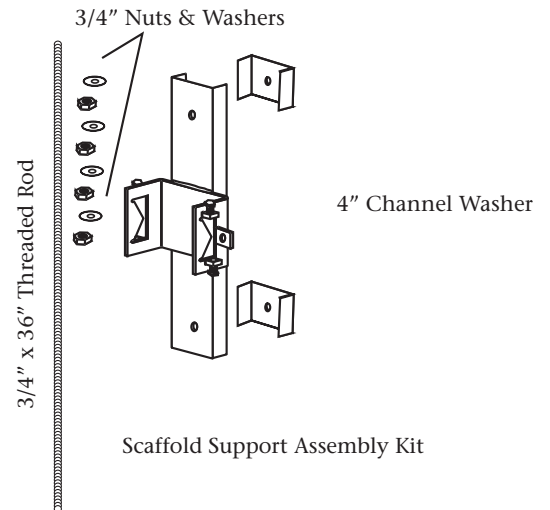
Formetco Scaffold Support Assembly is a "C" Support Bracket welded to a 30" - 4" 5.2 lb Channel Iron. The Scaffold Support Assembly includes the "C" Assembly, one (1) 3/4"x36" Threaded Rods with four (4) nuts/washers, two (2) 4" - 5.4 lb. x 4" Back Channel Washers, all Bolts/Nuts/Washers needed and with or without the 4" 5.4 lb Channel Scaffold Supports.

Mounting Scaffold Support Assembly

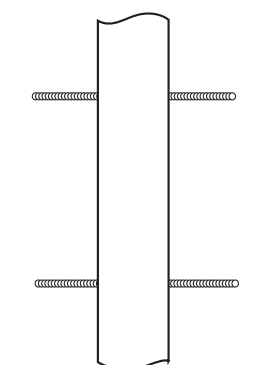
Using a string level, locate on each wood pole the top of the "C" Assembly. Place the "C" Assembly on each pole and mark the hole locations for threaded rods. Drill two 13/16" holes in each pole for the "C" Assembly threaded rods. Insert threaded rods through the holes and "C" Assembly. Place a washer and nut on the rods. Place a 4" x 4" Channel Back on the opposite side of the pole along with nut/washer and tighten. Insert 4" 5.4 lb Channels through slots and secure.



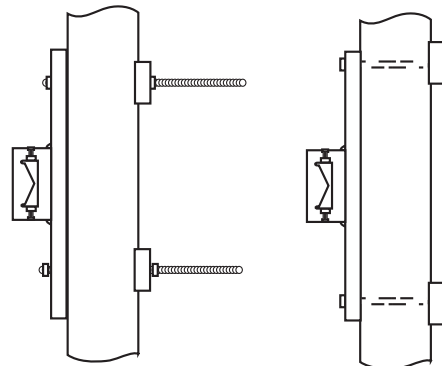
Run a string level or laser where you want the Scaffold. Place a nail in each wood pole and run a string from one end to the other.



Place Scaffold Assembly on wood pole and drill pilot holes for threaded rods.



Drill two 13/16" holes through the wood pole. Cut 2 -3/4" threaded rods 5" longer than the pole is across and drive through the holes



Place the Scaffold Assembly on the threaded rods. Place a washer and nut on each rod. Tighten nut until end of rod is flush with nut. Place a 4" Channel Washer on threaded rods. Tighten nuts. Cut off excess rods.

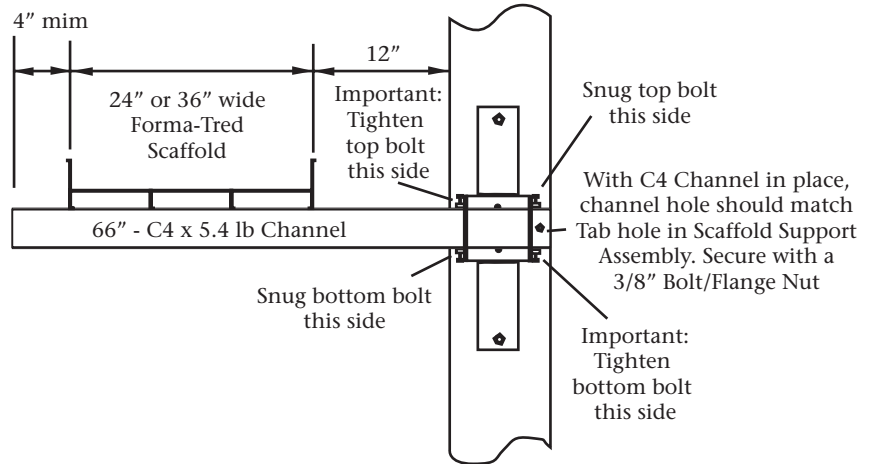
FORMETCO
OUTDOOR

Excellence is our standard.

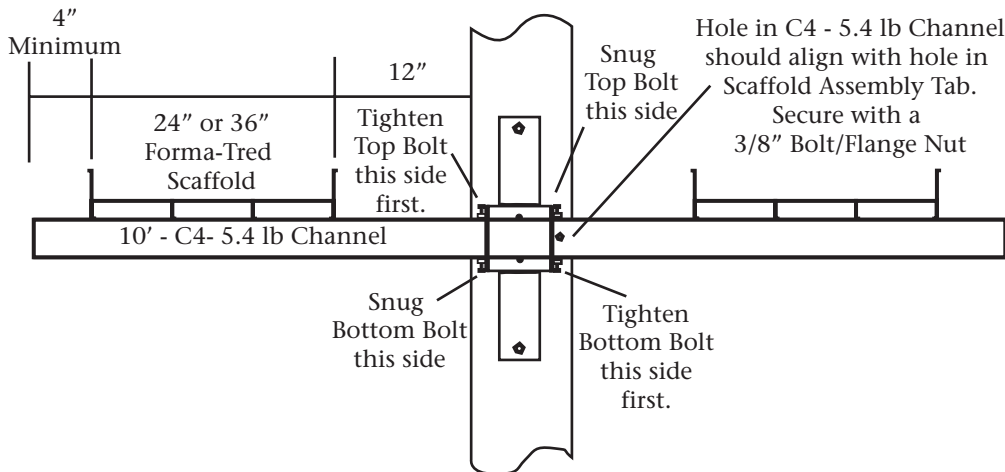
Forma-Tred Scaffold Support Assembly

Front Scaffold Assembly Wood pole structure

**Single Face Scaffold Support
Assembly Kit for
Wood Pole
Structure.**



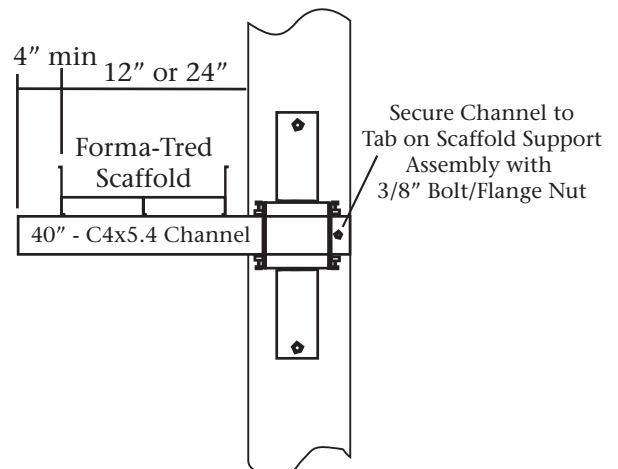
Back-to-Back Scaffold for Wood Pole Structures



**Back-to-Back Scaffold
Support Assembly Kit for
Wood Pole Structure.**

Rear Scaffold Support Bracket Kit for Wood Pole Structures

**Rear Scaffold Support
Assembly Kit for
Wood Pole
Structure.**



FORMETCO®
OUTDOOR

Excellence is our standard.