

Wall Mounted Vinyls

Invisible Frame System & Wall Brackets



Wall Mounted Vinyls

Invisible Frame System	3 - 12
Components	4 - 5
IF Wall Layout and Bracket Installation	6 - 7
Bolts/Nuts Square Washer Installation	8 - 9
IF Frame, Corner Supports and Splice Plates	10
Flexible Vinyl Installation	11 - 12
Wall Brackets	13 - 17
Components	14
Wall Bracket Layout/Installation	15
Flexible Vinyl Installation	16 - 17
FX Vinyl Tensioning Brackets	18 - 24
Wall Layout	19
FX Vinyl Tensioning Bracket	20
FX Bracket Layout and Installation	21 - 23
Flexible Vinyl Installation	24

Invisible Frame System

Invisible Frame System can be made any size for indoor and outdoor flexible vinyls.



21' 8" x 49' 4" Invisible Frame System
Baltimore, MD

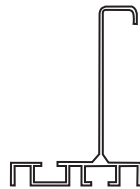
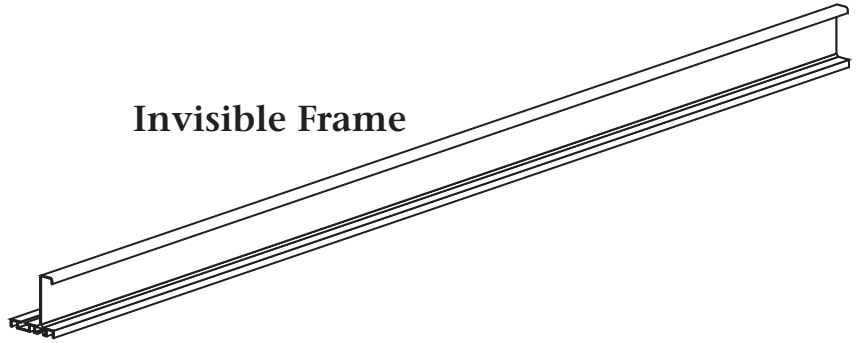


6' x 18' Invisible Frame System
Marietta, GA

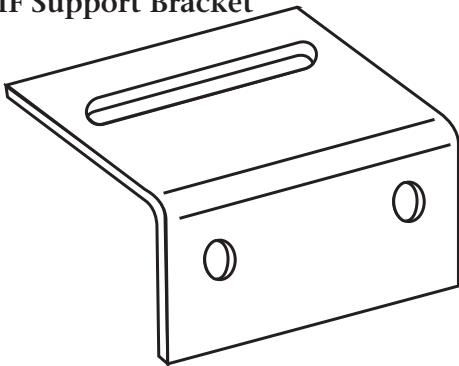
Invisible Frame System

The IF Frame Aluminum Extrusion is 3 1/4" deep and 4 1/2" high. When you order your IF Frame you order by the size of your copy area. The IF Frame Kit comes to you pre-cut to length and with the corners mitered. All you do is install the IF Frame to the wall.

Invisible Frame



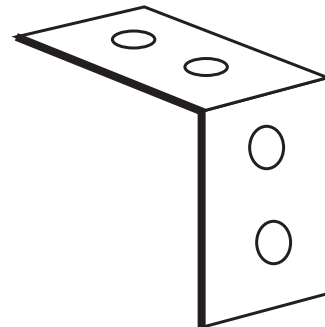
IF Support Bracket



The IF Support Brackets are made from 1/4" steel. We recommend 3 IF Brackets for 10' - 12' IF Frames and 2 IF Brackets for IF Frames 8' and less.

Bolts, lag screws etc. used to mount the IF Support Bracket to the walls are not included with the IF Kit.

IF Corner Support Brackets will keep the mitered corners in a tight fit for easy installation of the vinyl.



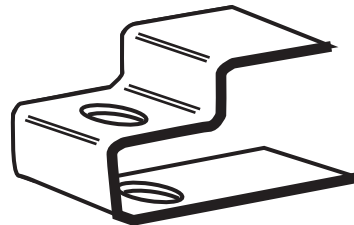
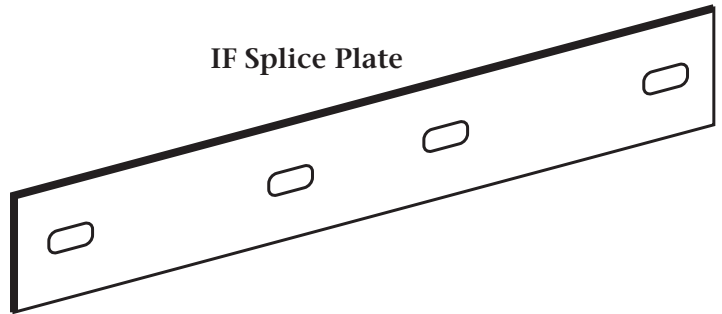
IF Clamp

Invisible Frame System

IF Splice Plates applied at butt joints in the IF Frame keeps them tight.

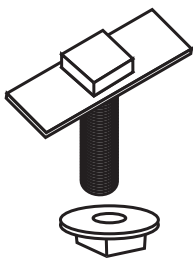
IF Clamps tension the vinyl behind the IF Frame therefore hiding the IF Frame from view.

IF Splice Plate

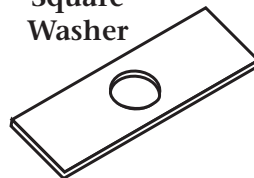


IF Support Bracket,
IF Corner Support
and IF Splice Plate
Attachment

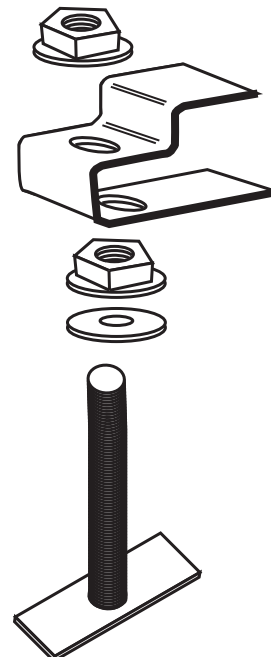
3/8" x 1" Sq Head Bolt
Square Washer
Flange Nut
2 per IF Support Bracket



Square
Washer



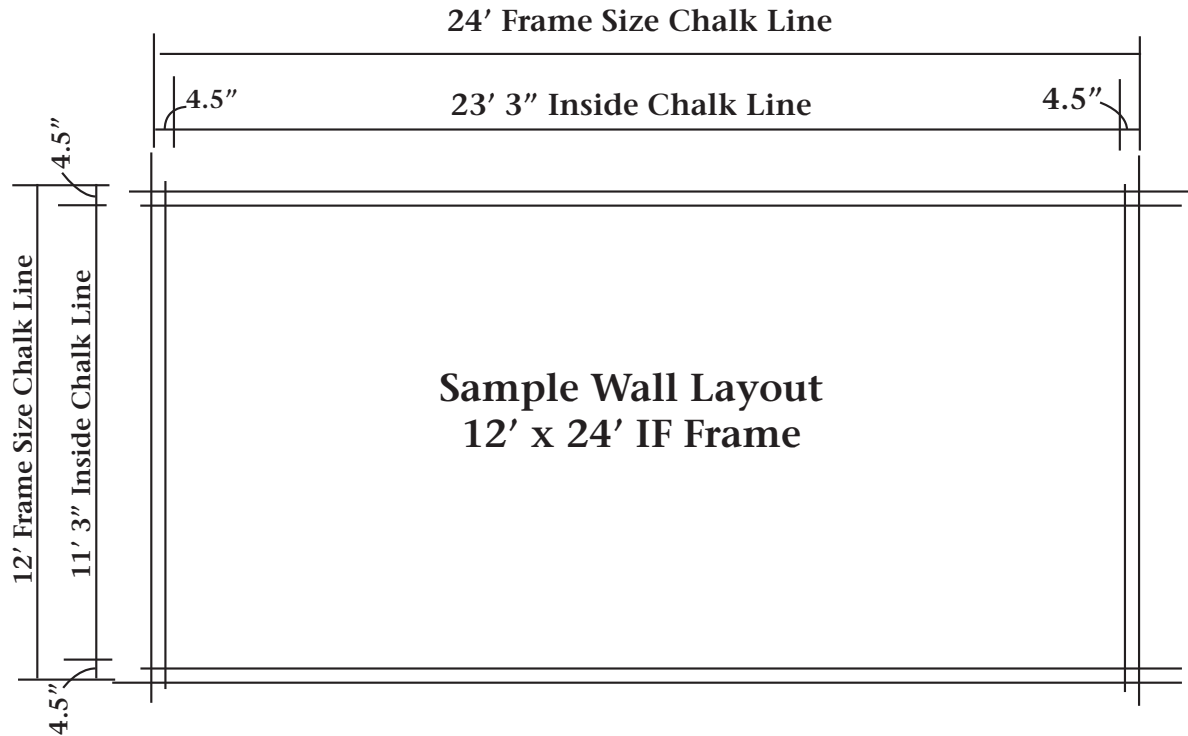
3/8" x 4" Bolt
IF Clamp
Flange Nuts
3/8" Washer



Invisible Frame System

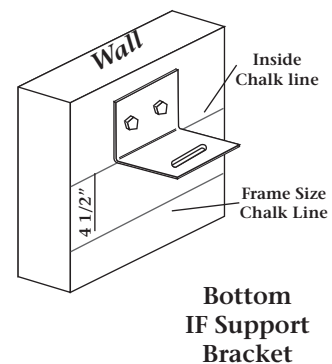
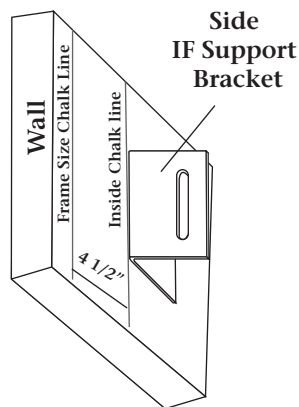
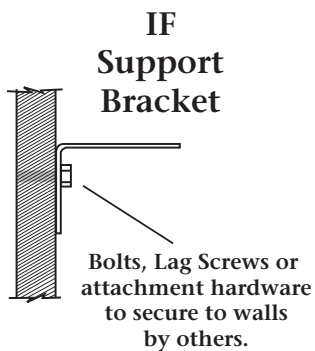
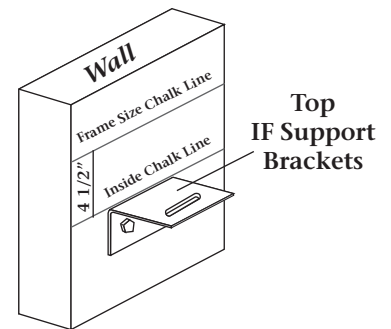
IF Frame Installation

First make chalk lines on the wall the size of your IF Frame. Then make a second set of chalk lines 4 1/2" inside the Frame chalk lines.

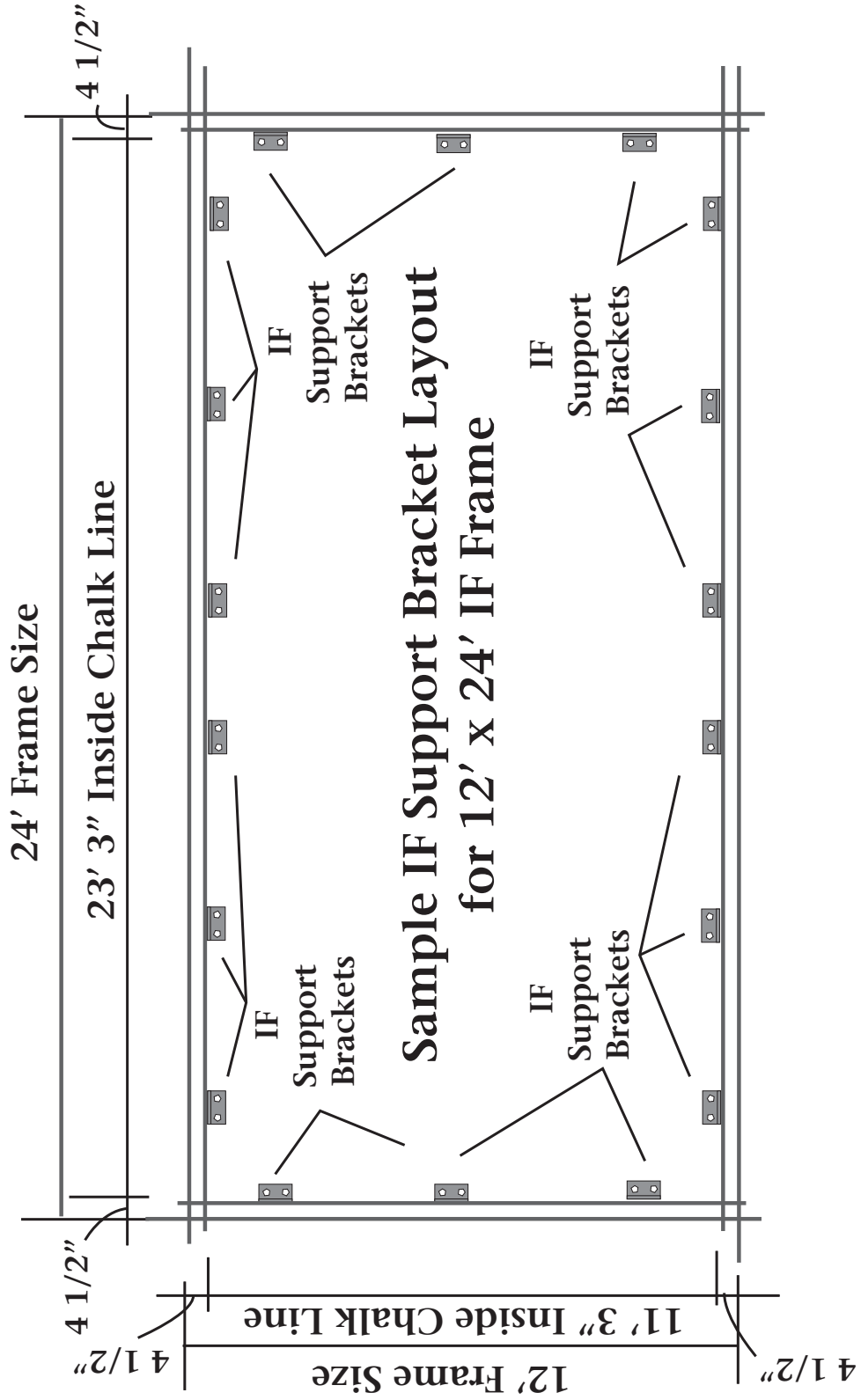


Install the IF Support Brackets flush with the inside chalk line facing out.

Note: Install IF Support Brackets at least 10" from corners and butt joints as to not interfere with the installation of IF Corner Supports or IF Splice Plates.



Invisible Frame System



Invisible Frame System

Take an IF Frame piece and slide 2 - 3/8" x 1" Square Head Bolt and Square Washer in the bottom slot for each IF Support Bracket, IF Corner Support and IF Splice Plate (if needed). Bolts should be facing to the inside of the IF Frame. Space the bolts out in the approximate location of the IF Support Brackets.

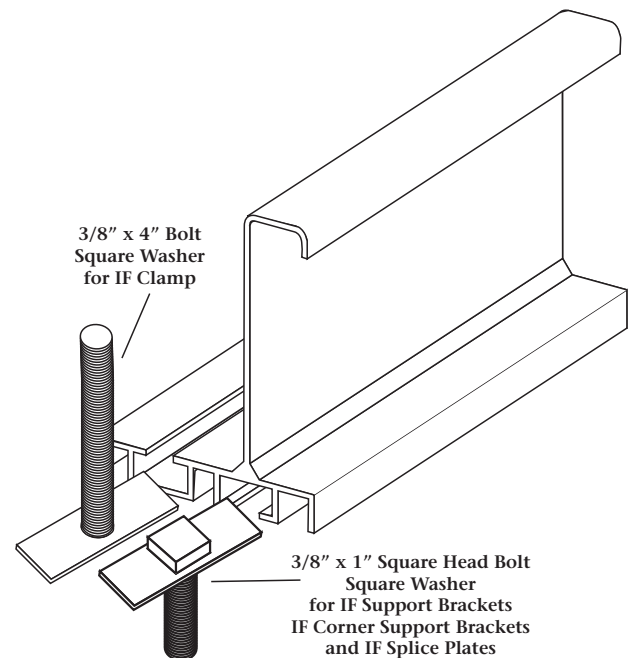
At this time loosely install an IF Corner Support and/or an IF Splice Plate to the IF Frame.

Place IF Frame on the IF Support Brackets and tighten the Flange Nuts.

Continue installing the IF Frames until all have been installed.

Now tighten all of the bolts and Flange Nuts.

You are ready to install the vinyl.



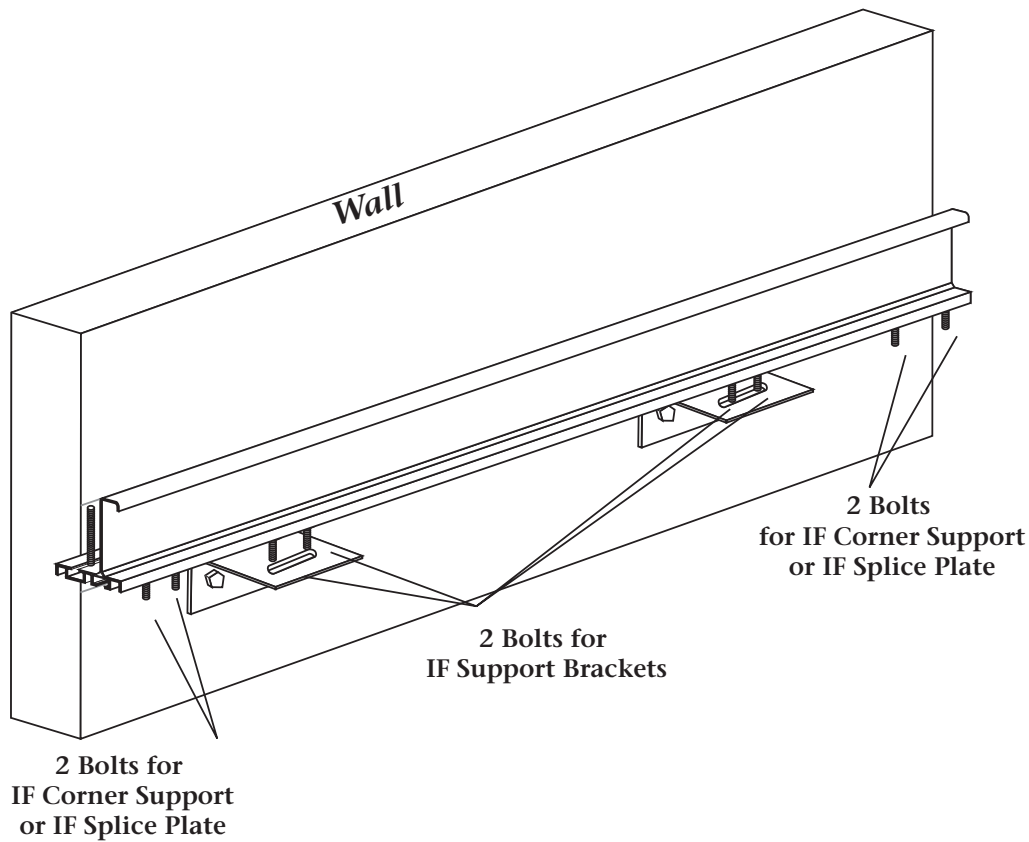
IF Corner Support

IF Splice Plate



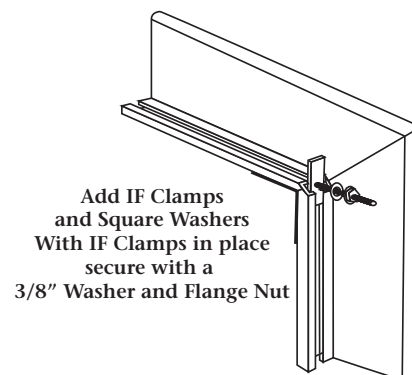
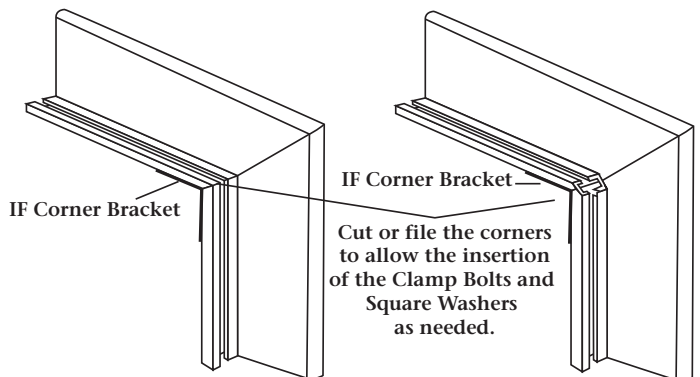
Before installing the IF Frame slide 2 - Bolts and Square Washers in frame for each IF Corner Support or IF Splice Plate. Also, slide 2 - Bolts and Square Washers in frame for each IF Support Bracket.

Invisible Frame System

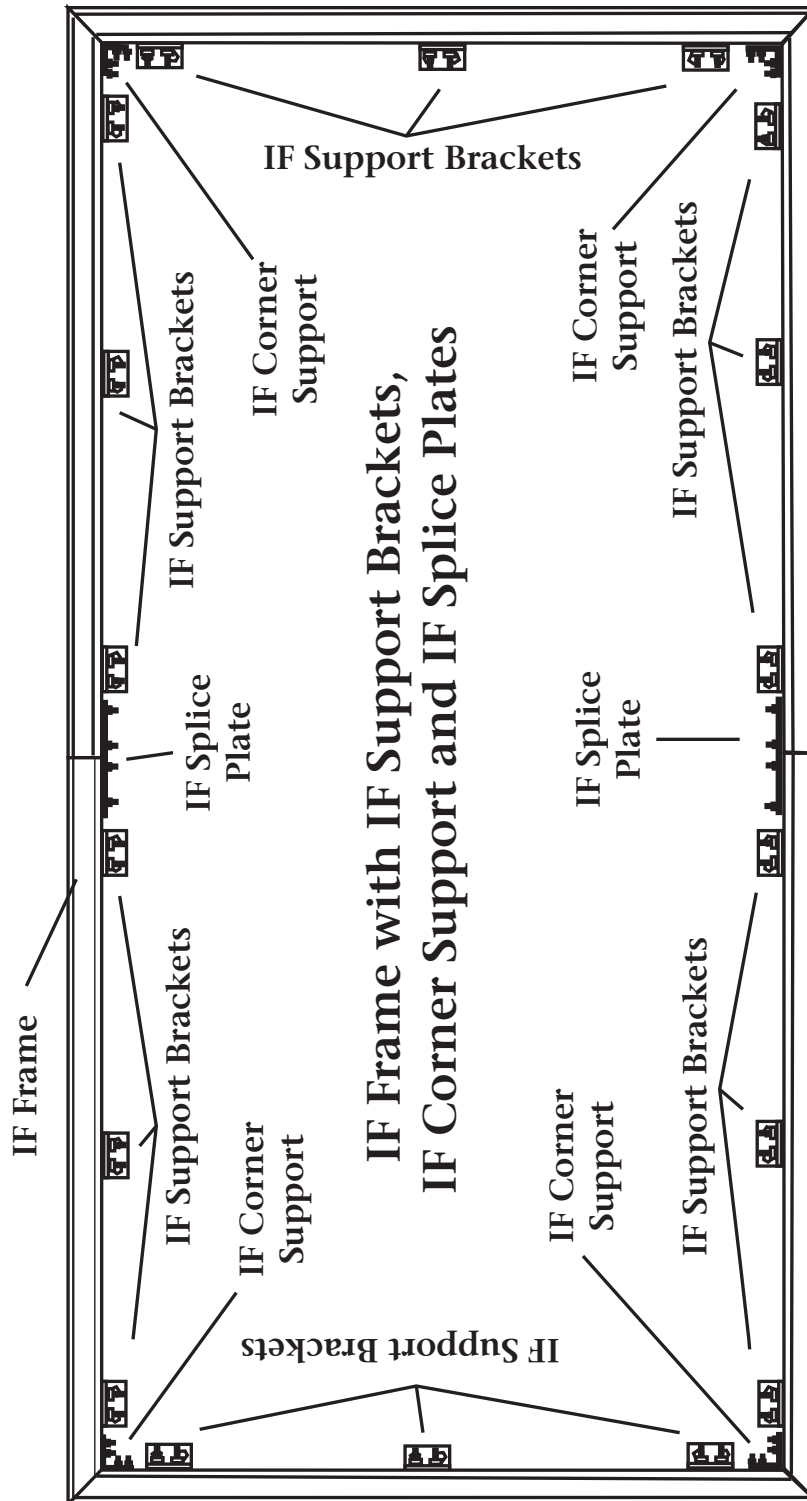


To make it easier to insert the 4" Bolts for the IF Clamps, file or cut the corner of the mitered IF Frame, see illustration.

You can now insert all the IF Clamp bolts with the Square Washer that you need.



Invisible Frame System



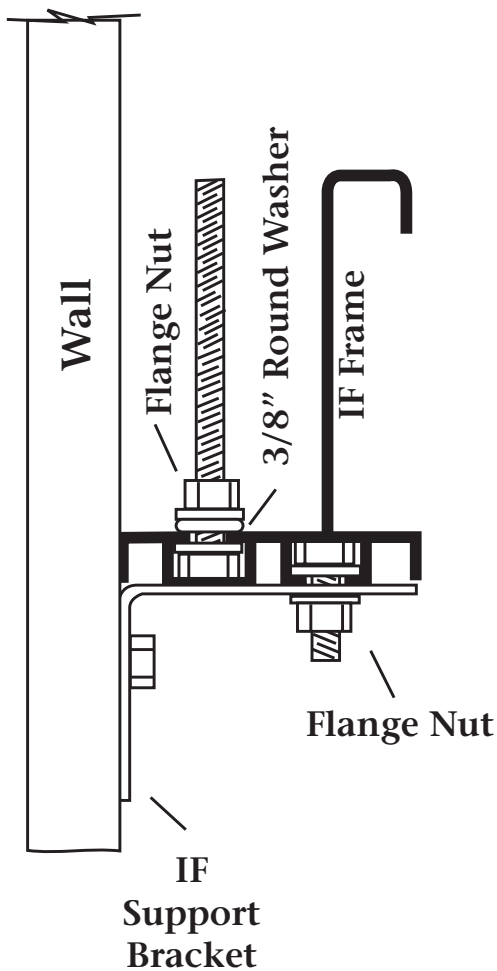
Invisible Frame System

IF Vinyl Installation

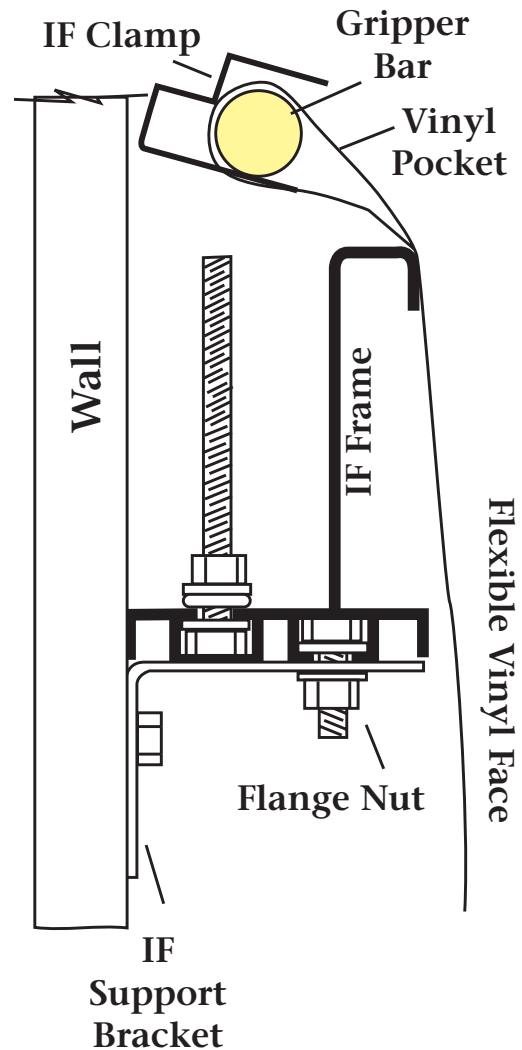
Slide the 4" bolt in place and secure with a Flange Nut.

Install the Gripper Bars into the pockets of the vinyl face. Place an IF Clamp over the Gripper Bar and vinyl. Rotate over and onto the 4" bolt.

Insert the 4" Bolts with Square Washers in IF Frame. When in position secure the bolts with Flange Nuts



Place a IF Clamp over the vinyl pocket and Gripper Bar. Place IF Clamp on the 4" Bolt.



Invisible Frame System

IF Vinyl Installation

Slide the IF Clamp down on the bolt and place a Flange Nut on the bolt and tighten just enough to hold in place. After all of the IF Clamps have been placed on the bolts, start tightening the Flange Nuts using a 3/8" deep well socket until the vinyl is taut.

With IF Clamp on Bolt
hold in place with a
Flange Nut.
Do not tighten
at this time.

With all IF Clamps
in place on the bolts,
using a 3/8" deep well
socket tension all
of the IF Clamps.

