

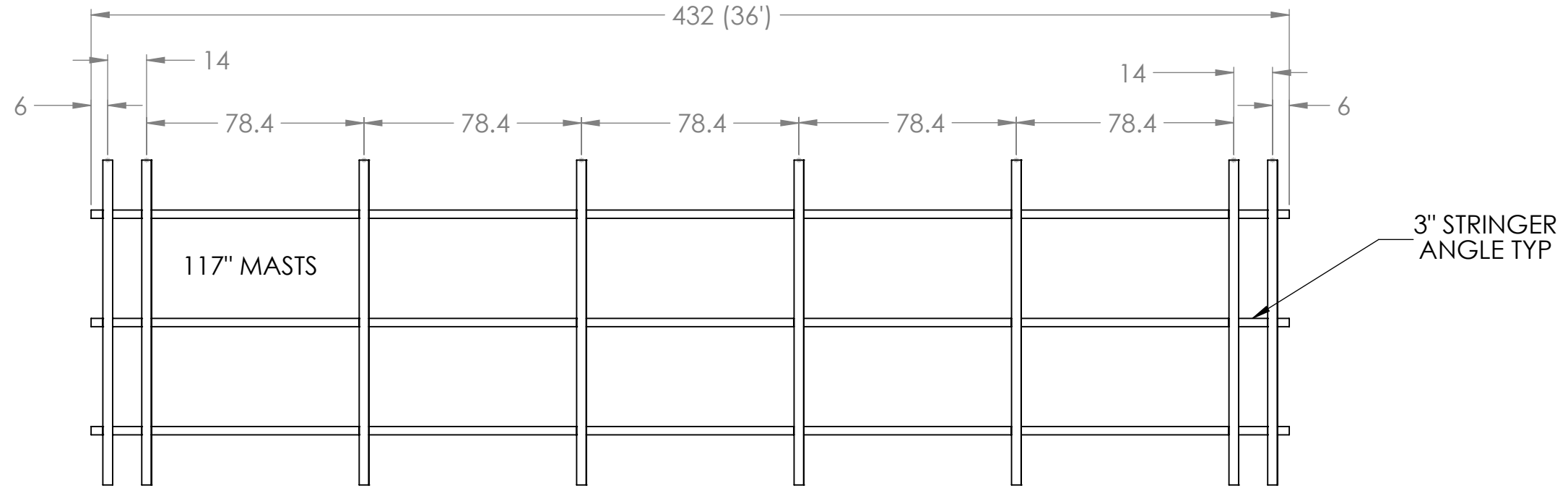
4

3

2

1

HF MAST SPACING 10'-6" X 36'



MAST SPACING 10'-6" X 36' HF FRAME

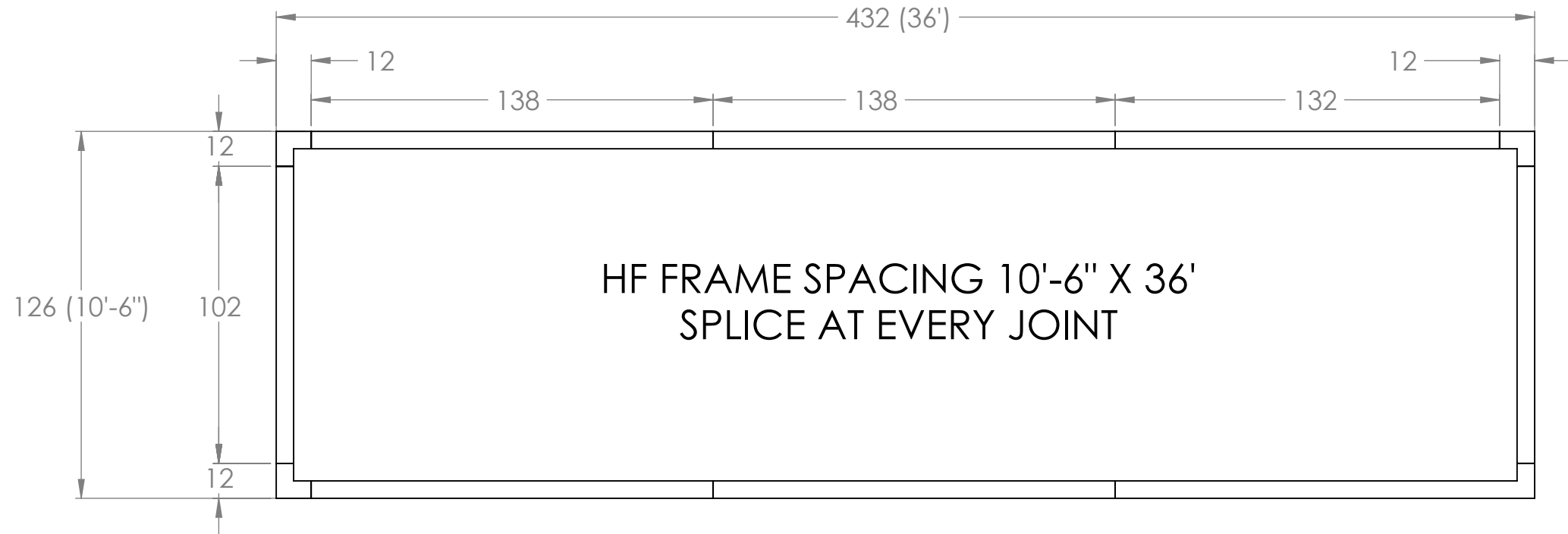
B

B

A

A

HF FRAME SPACING 10'-6" X 36' SPLICE AT EVERY JOINT



UNLESS OTHERWISE SPECIFIED

DIMENSIONS ARE IN INCHES
TOLERANCES
FRACTIONAL $\pm 1/16"$
ANGULAR BEND $\pm 2^\circ$



2963 Pleasant Hill Road
Duluth, GA 30096

PROPRIETARY AND CONFIDENTIAL <small>THE INFORMATION CONTAINED IN THIS DRAWING IS THE SOLE PROPERTY OF FORMETCO. ANY REPRODUCTION IN PART OR AS A WHOLE WITHOUT THE WRITTEN PERMISSION OF FORMETCO IS PROHIBITED.</small>	MATERIAL	VARIED	CREATED	BDJ	DATE	SIZE	DRAWING NUMBER	REVISION
	MATERIAL FINISH	VARIED	10/13/2016 7:46:48 AM			B	HURRICANE-FRAME-10-6X36	A
DO NOT SCALE DRAWING	UPDATED	Thursday, February 28, 2019 2:53:46 PM				WEIGHT:	SHEET 1 OF 1	

4

3

2

1