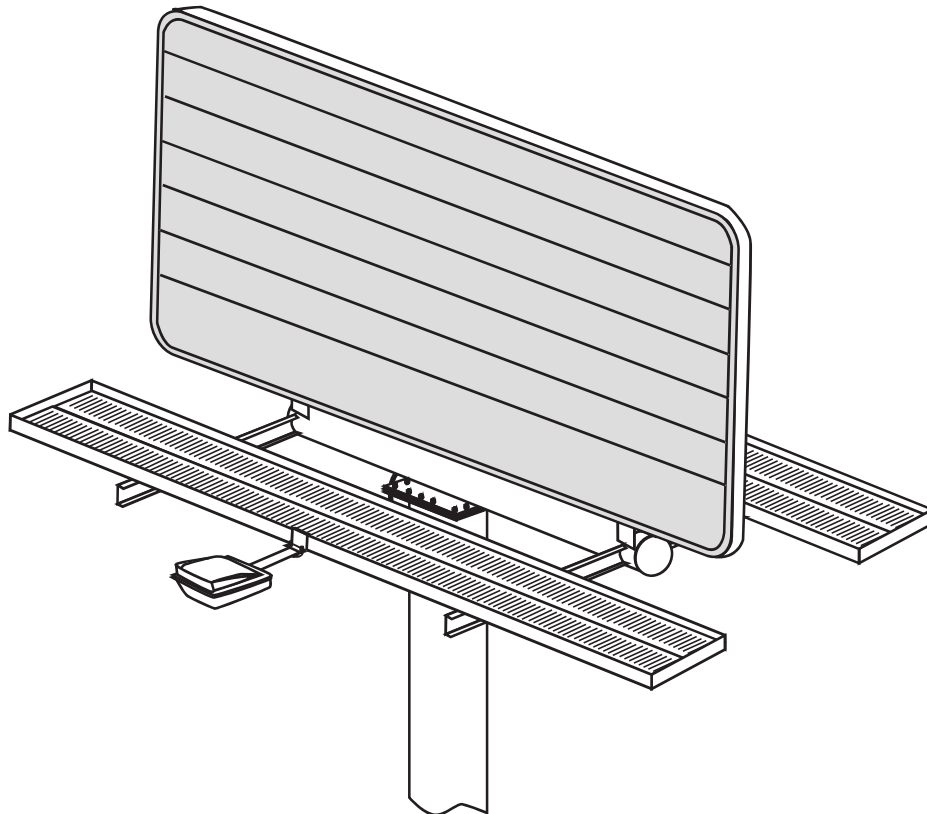
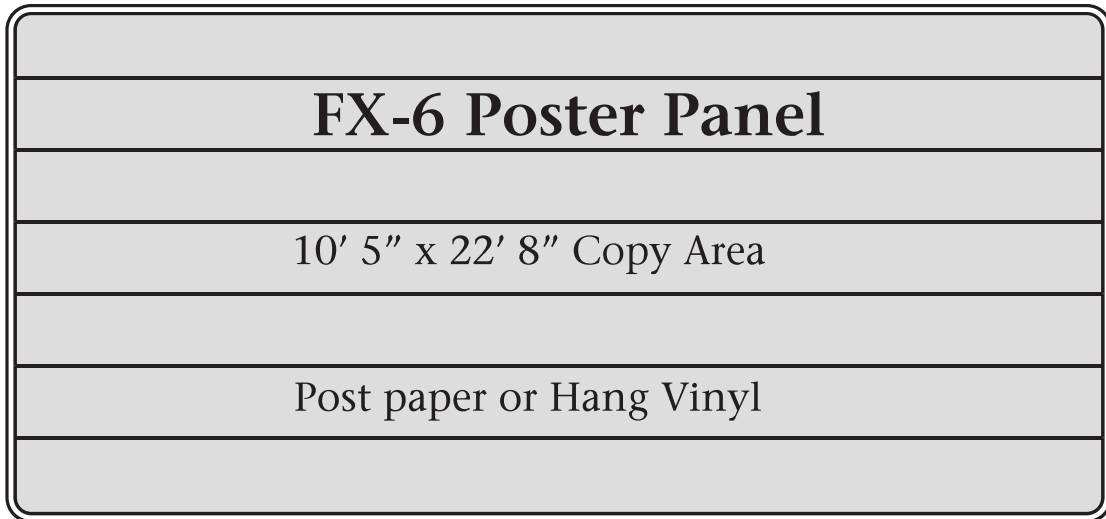


# FX-6 Poster Panel



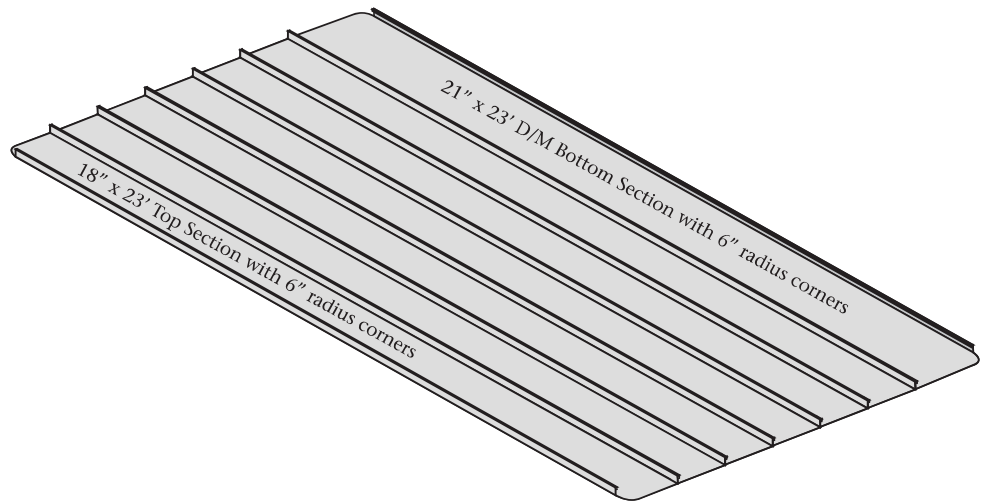
# FX-6 Poster Panel

## FX-6 Assembly Instruction

Lay the 21" x 23' - 6" radius corner D/M Formetco FX-6 Poster Panel bottom section face down on the floor or saw horses. Next, lay five (5) 18" x 23' interlocking sections in place. Finish with the 18" x 23' - 6" radius corner Top Section.

Mark the location of the 2 or 3 FX-6 Sprits on the back of the sections.

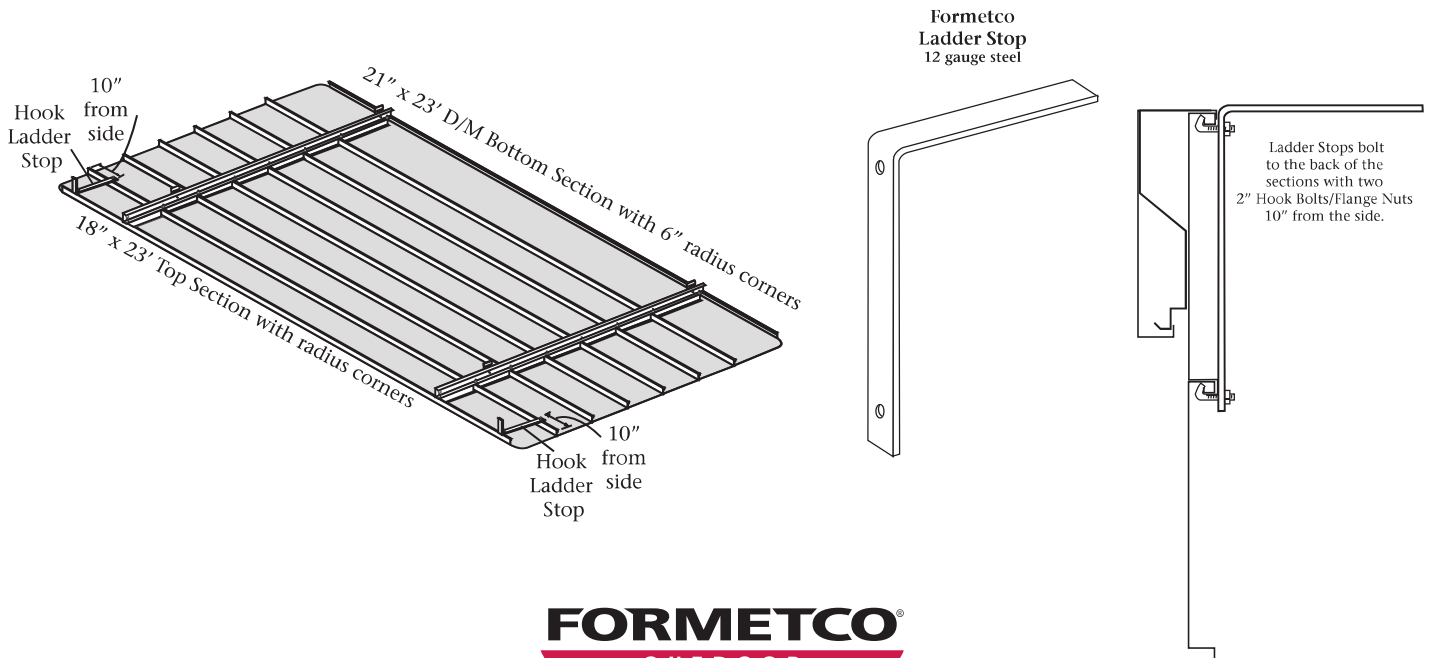
Install the "Z" Hanger Plates on the Sprits before attaching to the back of the face.



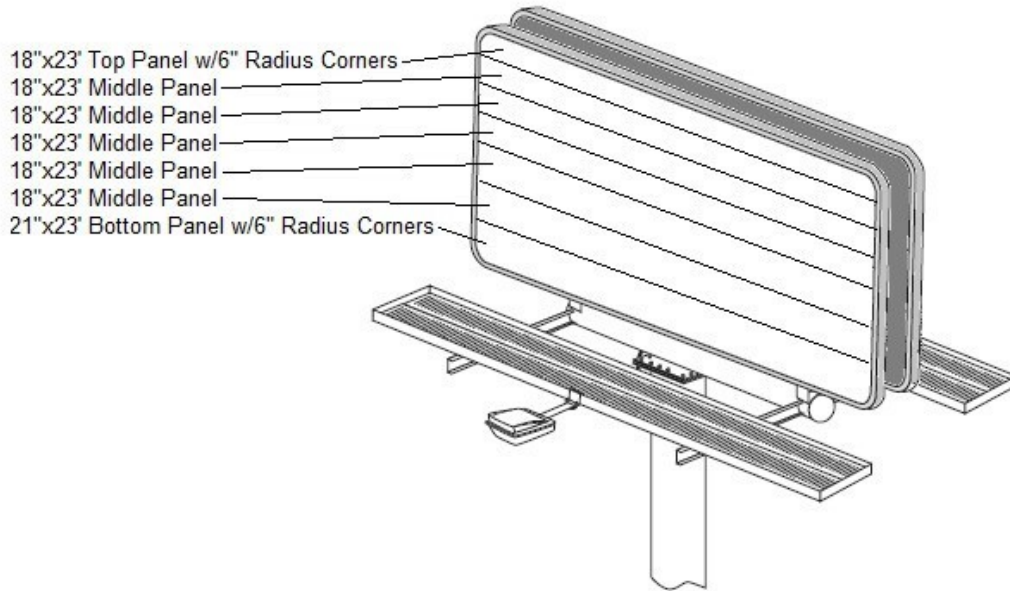
### FX-6 Sprit



Attach Ladder Stops to the top sections 10" from each side with two Hook Bolts/Flange Nuts.

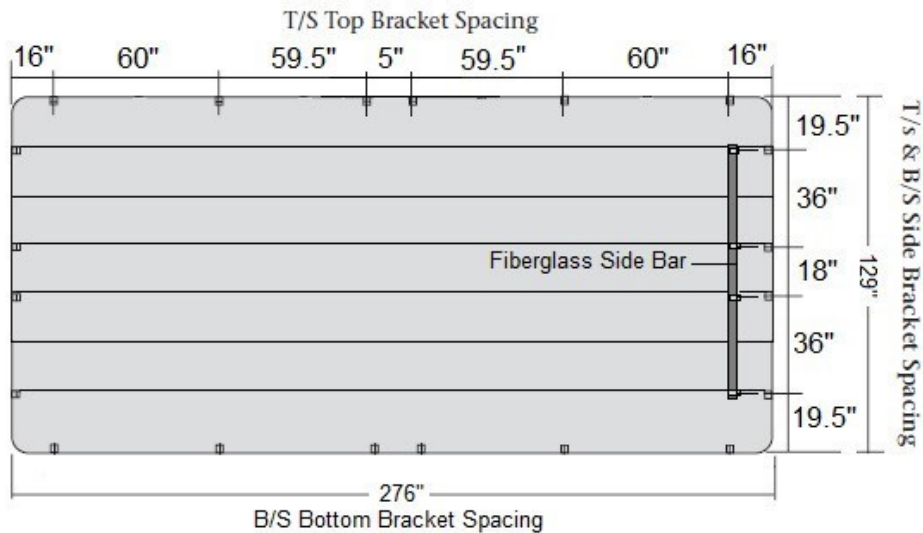


# FX-6 Poster Panel

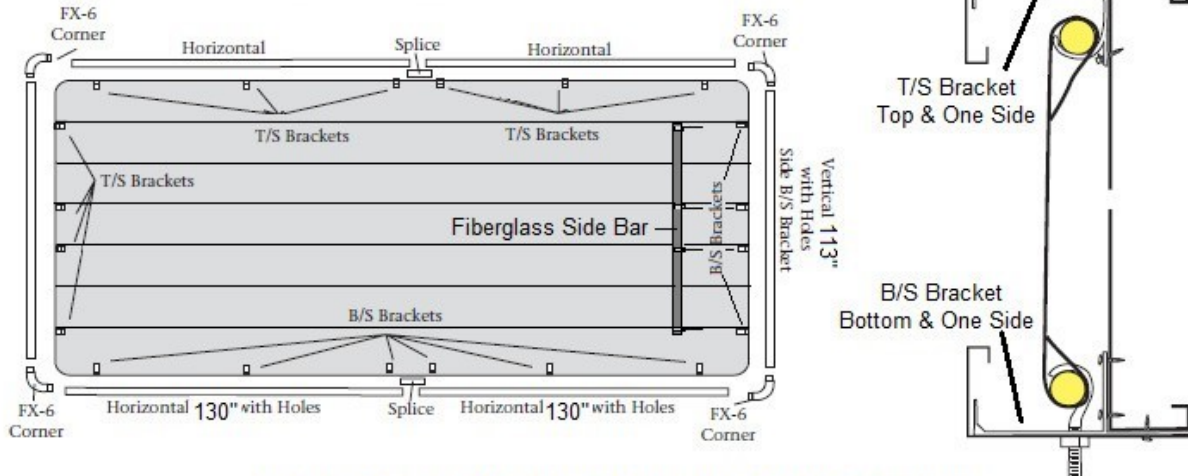


## FX-6 T/S & B/S Bracket Spacing

T/S Brackets are installed across the top and down one side of the sections. The B/S Brackets are installed across the bottom and down the opposite side of the sections.



## FX-6 Trim Installation

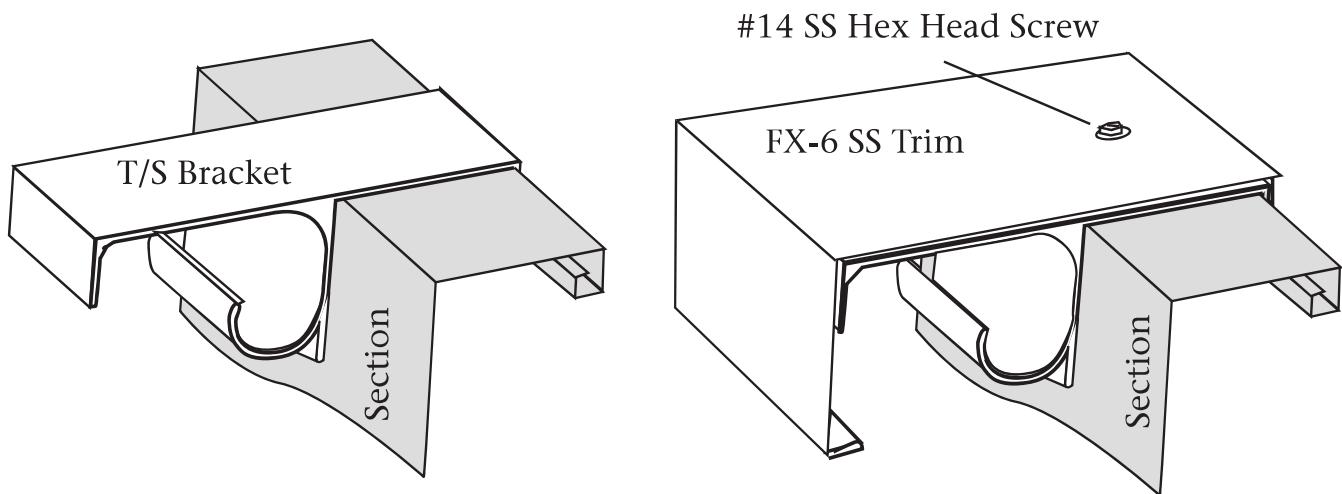
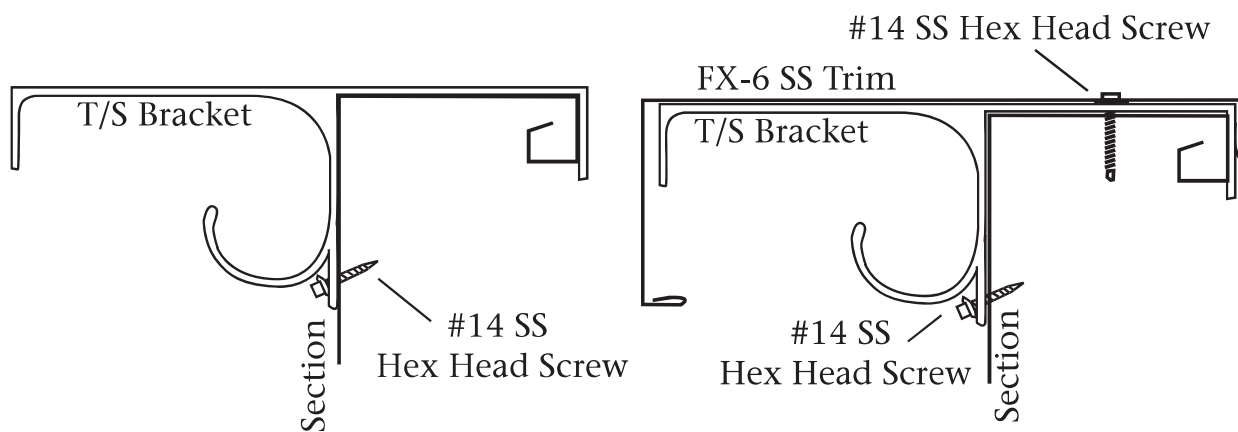


See Pages 22- 26 for T/S & B/S Brackets and FX-6 SS Trim Installation

# FX-6 Poster Panel

## FX-6 T/S Brackets

Measure and mark the location of the T/S Brackets across the top and on one side of the face. Center a T/S Bracket at each mark. Across the top secure the T/S Brackets with one #14 SS Screw through the bottom flange of each T/S Bracket into the section face at this time.

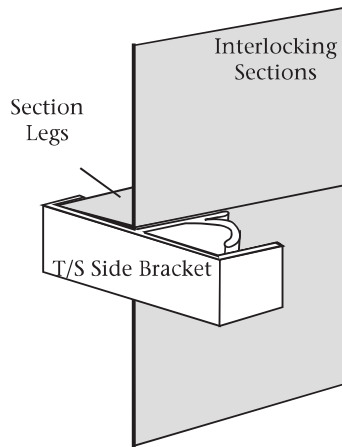


# FX-6 Poster Panel

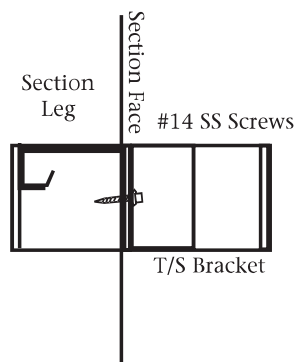
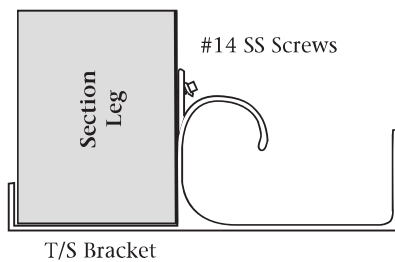
## FX-6 T/S Side Brackets

1. Center T/S Brackets on the measurement lines. The top of the back flange of the T/S Bracket should be on the leg of the interlocking sections.
2. Secure the T/S Brackets with a #14 SS Screw through the flange below the gripper bar support.

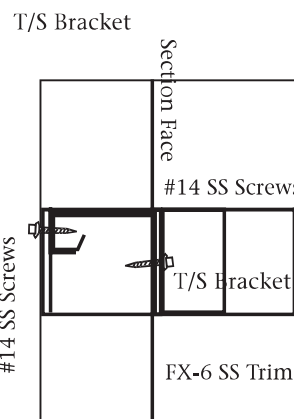
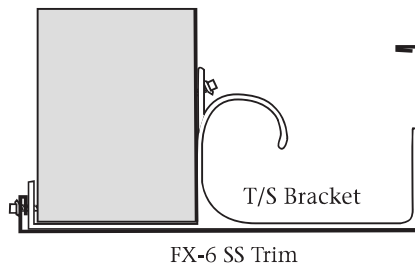
See Page 26 for installation of Back Screws.



Align the T/S Side Bracket with each measurement. Secure with a #14 SS Screw



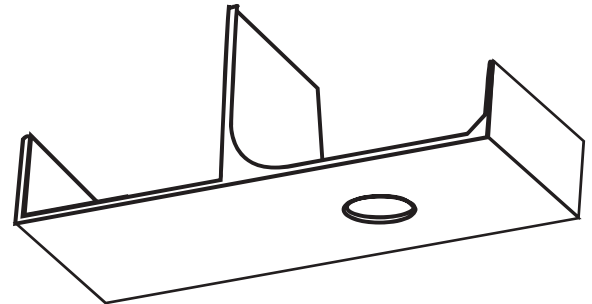
Place SS Trim over T/S Brackets and secure to the T/S Side Trim on the back edge through the T/S Bracket and both sections.



# FX-6 Poster Panel

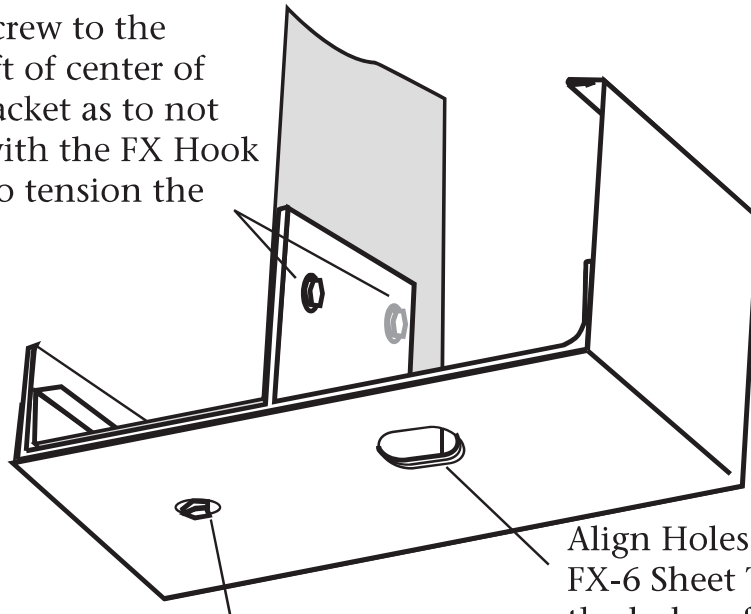
## FX-6 B/S Brackets

Locate and mark the positions for the B/S Brackets across the bottom and up the opposite side. Center the B/S Brackets at each mark. Place a #14 SS Screw through bracket into section.



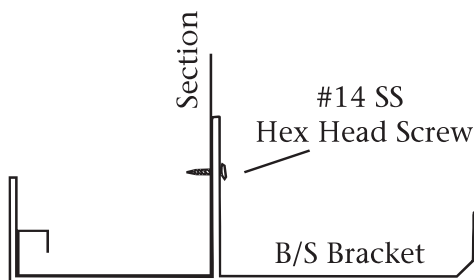
**B/S Bracket**

Secure to section with a #14 SS Screw to the right or left of center of the B/S Bracket as to not interfere with the FX Hook Bolts use to tension the vinyl.



#14 SS Hex Head Screw

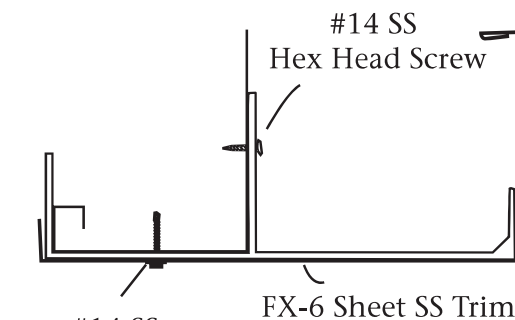
Align Holes of the FX-6 Sheet Trim with the holes of the B/S Brackets



Section

#14 SS Hex Head Screw

B/S Bracket



#14 SS Hex Head Screw

FX-6 Sheet SS Trim

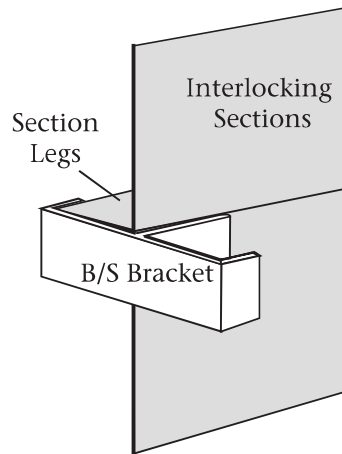
#14 SS Hex Head Screw

# FX-6 Poster Panel

## FX-6 B/S Side Brackets

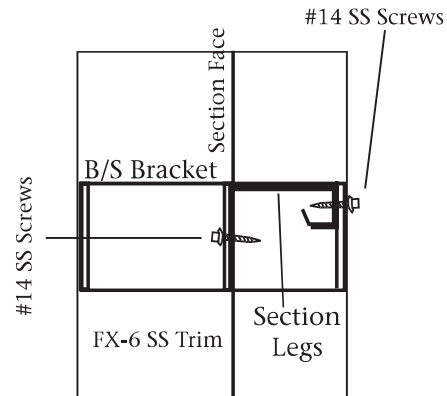
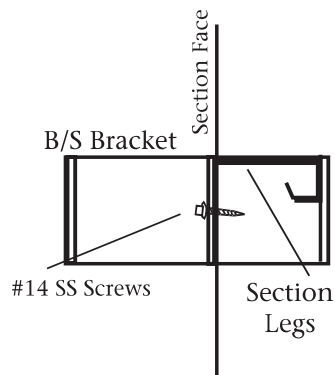
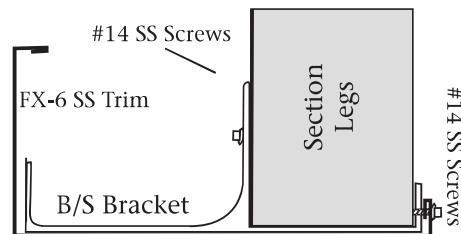
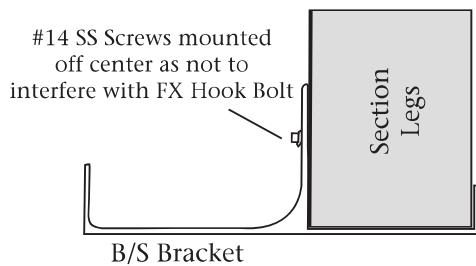
1. Center B/S Brackets on the measurement lines. The top of the back flange of the B/S Bracket should be on the leg of the interlocking sections.
2. Secure the B/S Brackets with a #14 SS Screw through the flange off center, as to not interfere with the 4" Tensioning Hook Bolt.

See Page 26 for back screw detail.



Align each B/S Side Bracket with each measurement. Secure with a #14 SS Screw through the section.

Place SS Trim over B/S Brackets and secure to the B/S Side Bracket on the back edges through the B/S Bracket and both sections.



Excellence is our standard.

# FX-6 Poster Panel

## Installation of FX6 Vinyl Insert

To prepare FX6 Vinyl for installation lay the vinyl face down on floor or ground. Mark the location of each of the T/S and B/S Brackets.

Cut a 2" wide by 1 1/2" square out of the back side of the pocket. Do not cut the front side of the vinyl.

Insert the 5/8" x 272" Gripper Bars in the top and bottom pockets. Place the gripper bar up and over the top T/S Brackets.

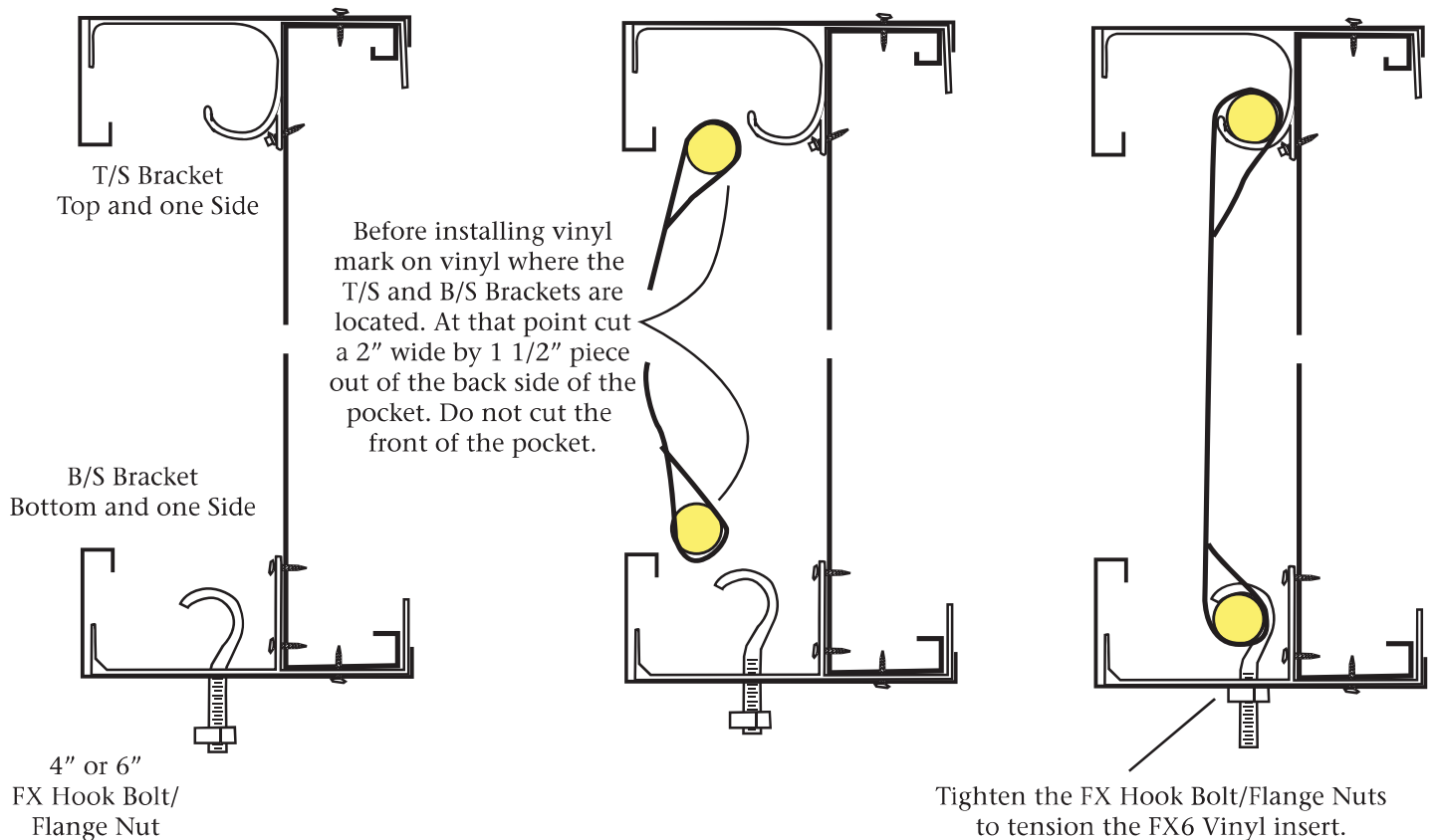
Insert a 5/8" x 10' Gripper Bar in each side pocket and place on the side T/S and B/S Brackets.

Place the 5/8" x 272" bottom Gripper Bar over the B/S Brackets across the bottom.

Tension the FX6 Vinyl by tightening the FX Hook Bolts/Nuts.

## FX6 Vinyl Insert Installation

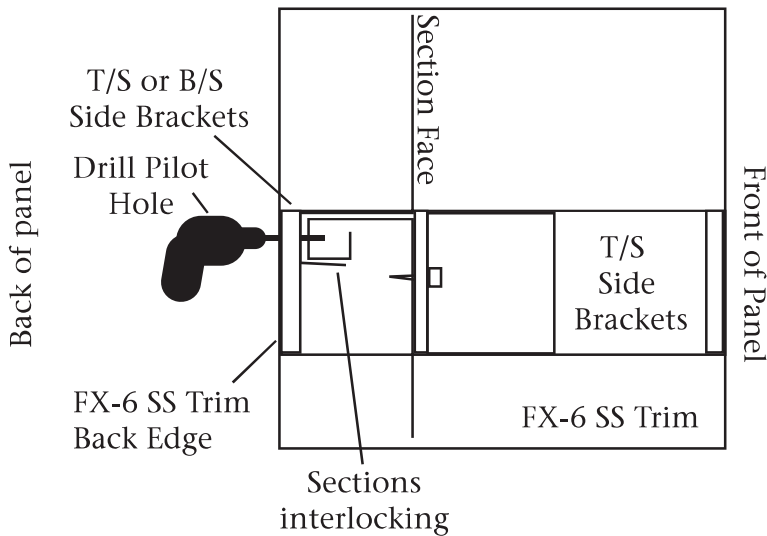
Place gripper bar on  
T/S Brackets, top and sides,  
then on FX Hook Bolts.





# FX-6 Poster Panel

## FX-6 T/S & B/S Side Brackets Back Screw



With T/S Brackets and Trim installed drill a pilot hole through Trim, Bracket and both sections legs.

Secure with a #14 SS Screw. Make sure screw goes through all components.

With B/S Brackets and Trim installed drill a pilot hole through Trim, Bracket and both sections legs.

Secure with a #14 SS Screw. Make sure screw goes through all components.

