

SCAFFOLD SUPPORTS

DESIGNED TO SIMPLIFY THE INSTALLATION AND LEVELING OF FRONT AND REAR CATWALKS USING C-CHANNEL SUPPORT ARMS



**SCAFFOLD
SUPPORT PLATE**

Formetco Scaffold Support Assemblies and Scaffold Support Plates are ideal products when upgrading wood pole and I-beam structures with metal catwalks. Available in various lengths to meet your needs.

Support Plate Features and Benefits

- Designed to level and support catwalks on I-beam structures
- Made of 1/4" steel and coated with outdoor structural grade paint
- Pre-punched slot accepts 4" C-channel support arms
- Pre-punched holes for 1/2" bolts
- Weld or bolt to each side of the I-beam upright
- Use for single sided or back-to-back structures
- Available with either 40", 66", or 120" C-channel support arms



**SCAFFOLD
SUPPORT ASSEMBLY**

Support Assembly Features and Benefits

- Designed to support and level catwalks on wood pole structures
- Made of 1/4" steel and coated with outdoor structural grade paint
- Pre-punched slot accepts 4" C-channel support arms
- Includes all-thread hardware for attachment
- Use for single sided and back-to-back structures
- Available with either 40", 66", or 120" C-channel support arms

FORMETCO

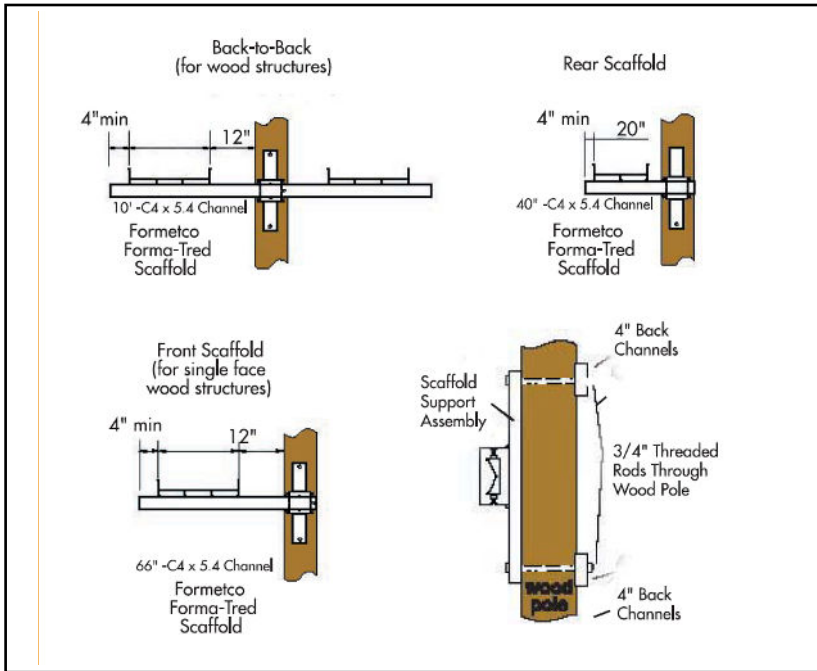
2963 Pleasant Hill Road
Duluth, GA 30096

Tel: (800) 367-6382
Web: formetco.com

SCAFFOLD SUPPORTS

DESIGNED TO SIMPLIFY THE INSTALLATION AND LEVELING OF FRONT AND REAR CATWALKS USING C-CHANNEL SUPPORT ARMS

C-CHANNEL SUPPORT ARM OPTIONS



SCAFFOLD SUPPORT ASSEMBLY

