

Clip-It Cut-Out System

Clip-It Cut-Out Mast Assembly

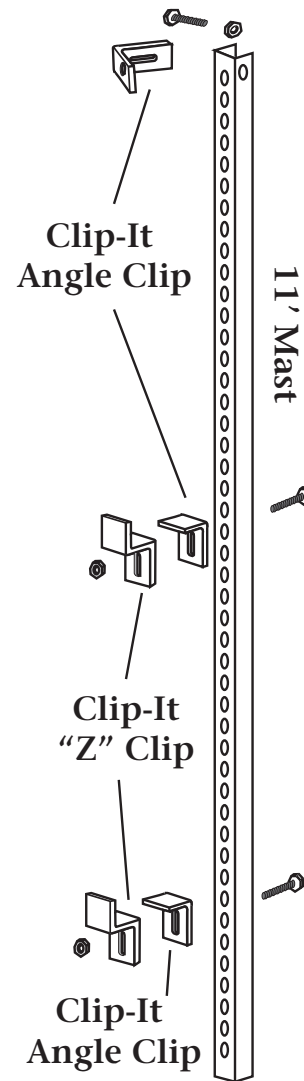
The strong 11' Clip-It Cut-Out Mast is designed to attach to the two top stringers of your structure and to the top of the extension. The Mast is punched every two inches to allow easy adjustment of the Cut-Out "Z" Brackets and Cut-Out Angle Clips to your angle iron stringers for extensions of 12" to 60" above the top of the sections.

A Cut-Out Angle Clip is attached to the top of the Mast and secured to the top of your extension with a 3/8" x3" Elevator Bolt/Flange Nut. The angle clip is slotted for adjustment of the extension to fit flush with the section face.

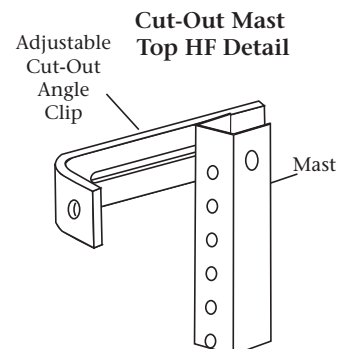
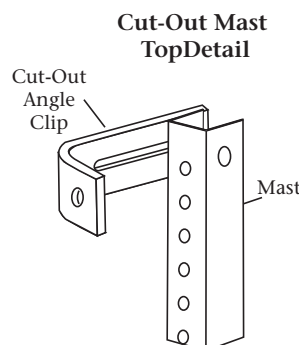
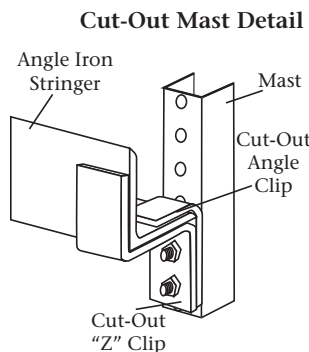
The Cut-Out Mast is secured to the angle iron stringers with Cut-Out "Z" Clips and Cut-Out Angle Clips. This creates a vise type grip on the angle iron stringers locking the Mast to the structure. Both the Cut-Out "Z" Clip and the Cut-Out Angle Clip have slotted holes for easy and fast attachment to the stringers which eliminates the costly time to weld or punch holes at each structure. The Cut-Out "Z" Clips are available for 2" or 3" angle iron stringers.

The Clip-It Cut-Out System makes cut-outs on a rotary leg a snap to handle.

Clip-It Cut-Out System Mast



Clip-It Cut-Out Components Material List per Mast <i>1 Mast assembly for every 4' of Extension</i>	
11' Cut-Out Mast	1
2" or 3" Cut-Out "Z" Clips	2
Cut-Out Angle Clips	3
3/8" x 3" Elevator Bolts/Nuts	11
1/2" x 1 1/2" Carriage Bolt/Flange Nuts	6



Excellence is our standard.

Clip-It Cut-Out System

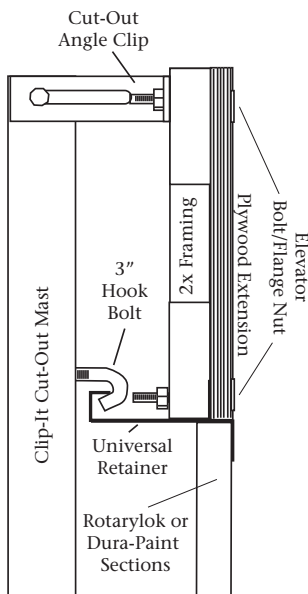
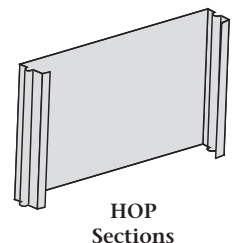
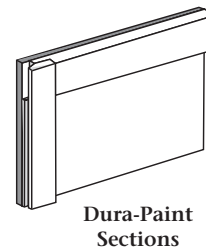
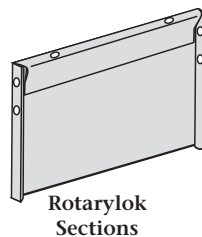
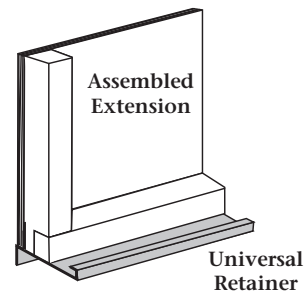
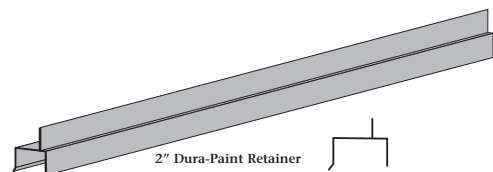
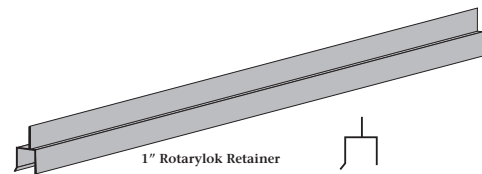
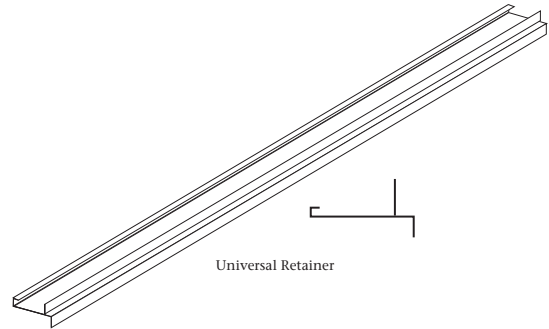
Clip-It Cut-Out Retainers

The Formetco 8' Clip-It Cut-Out Retainer is designed to align and secure the cut-out extension to the top of your bulletin sections. Cut-outs fabricated with the Clip-It Cut-Out Retainers and installed with the Clip-It Cut-Out Mast Assembly fit snug on top of your section pulling flush with the face. After the copy has been glued on, only a trained eye can tell where the cut-out begins. Special sized retainers are available to fit over flexible vinyl faces to give your vinyl extensions a perfect match with the face.

The Clip-It Cut-Out Universal Retainer works on all sizes of sections. Using a 3" Hook Bolt/Flange Nut tie the Universal Retainer to the Cut-Out Mast. This will pull the extension tight with the vinyl face, eliminating the line between extension and vinyl face. With the extension attached to the top of the Cut-Out Masts, it becomes part of the structure.

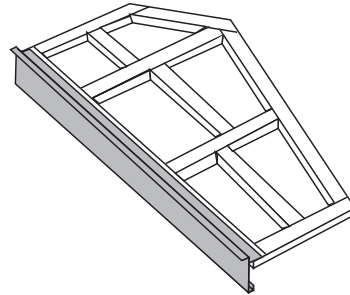
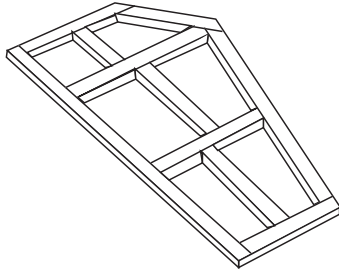
Retainers are also available for Rotarylok, Hop and Dura-Paint sections.

Cut-Out Retainers	
<i>All Retainers 8' lengths</i>	
8' Universal Retainer	for all types of sections
8' Rotarylok Retainer 1"	for Rotarylok Sections
HOP / Dura-Paint Retainer 2"	for HOP and DP Sections



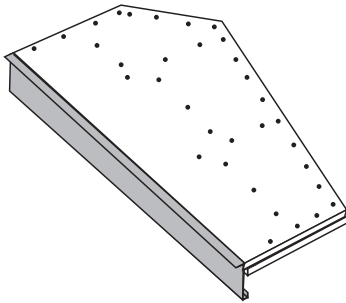
Clip-It Cut-Out System

Extension Assembly

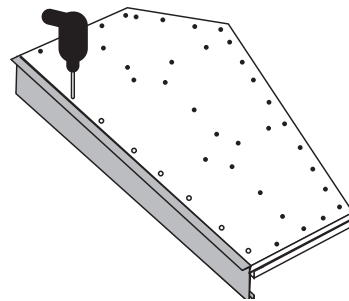


1. Assemble extension frame with 2x material

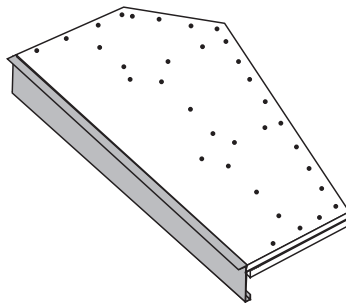
Place Retainer Flange across bottom of extension. Lay plywood on top.



Secure plywood to 2x with nails, screws or staples.

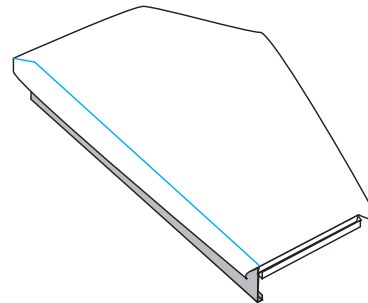


Drill 7/16" holes through plywood, Retainer Flange and 2x every 11 1/2" to 12". Drill holes at top where Cut-Out Retainers will be located



Place 3/8" x 3" Elevator Bolts through each hole going through Retainer Flange and secure with Flange Nuts.

Attach a Cut-Out Angle Clip to the Elevator Bolts for the Cut-Out Masts and secure with a Flange Nut.



Apply Bill-Tite 450 to the surface of the extension and Retainer lip. Place vinyl on the extension and roll out to remove air bubbles. Important: Make sure the "Match Line" on the vinyl aligns where the Retainer and the plywood meet. Apply extra paste around edges if needed. When dry trim edged of vinyl.