

### INSTALLATION INSTRUCTIONS

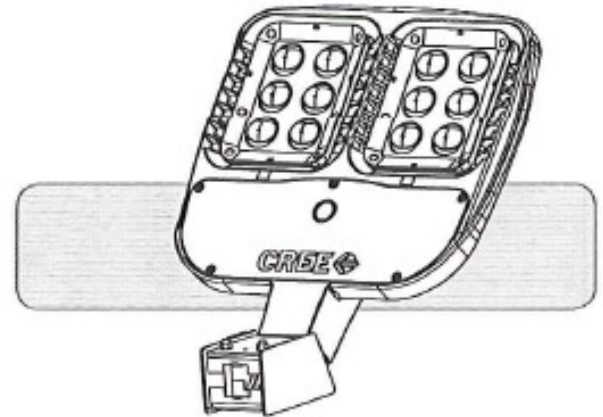
## IMPORTANT SAFEGUARDS

When using electrical equipment, basic safety precautions should always be followed including the following:

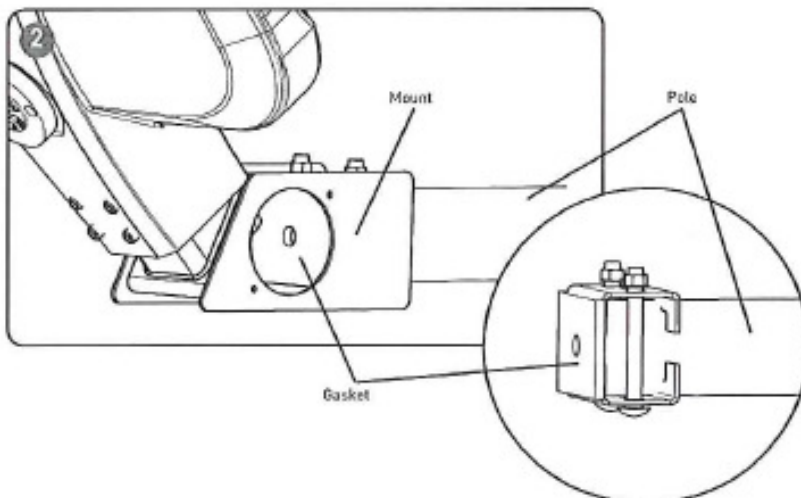
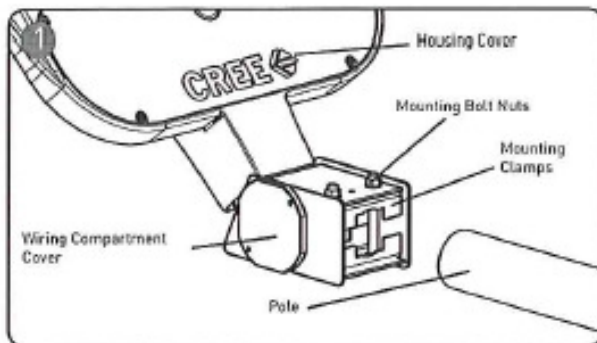
## READ AND FOLLOW ALL SAFETY INSTRUCTIONS

1. **DANGER**- Risk of shock- Disconnect power before installation.  
*DANGER – Risque de choc – Couper l'alimentation avant l'installation.*
2. This luminaire must be installed in accordance with the NEC or your local electrical code. If you are not familiar with these codes and requirements, consult a qualified electrician.  
*Ce produit doit être installé conformément à NEC ou votre code électrique local. Si vous n'êtes pas familier avec ces codes et ces exigences, veuillez contacter un électricien qualifié.*

## SAVE THESE INSTRUCTIONS FOR FUTURE REFERENCE



### TO INSTALL:



### STANDARD MOUNTING

#### STEP 1:

Remove the wiring compartment cover by using a Philips screwdriver to remove (2) screws and set aside to reinstall later. See Figure 1.

#### STEP 2:

Locate the electrical cord. To ensure that the cord is clear of the mounting clamps, pull the cord through the wiring compartment access hole. See Figure 1.

#### STEP 3:

Slide the luminaire onto the pole through the opening in the mounting clamps. Ensure that the pole is inserted all the way to the gasket in the mount. See Figure 1 and 2.

#### STEP 4:

If mounting onto a round pipe, ensure that the luminaire is level from side to side.

#### STEP 5:

Locate the (2) mounting bolt nuts on the luminaire and using a 9/16" socket tighten the bolt nuts to 240 in-lb (27 Nm). See Figure 1.

#### STEP 6:

Make wiring connections referencing the **Electrical Connections** section.

#### STEP 7:

Replace the wiring compartment cover that was removed in Step 1 by using a Philips screwdriver to tighten the (2) screws to 10 in-lb (1.1 Nm). Ensure that no wires are pinched.