

ELECTRICAL CONNECTIONS PHASE TO NEUTRAL WIRING

STEP 1:

Make the following Electrical Connections:

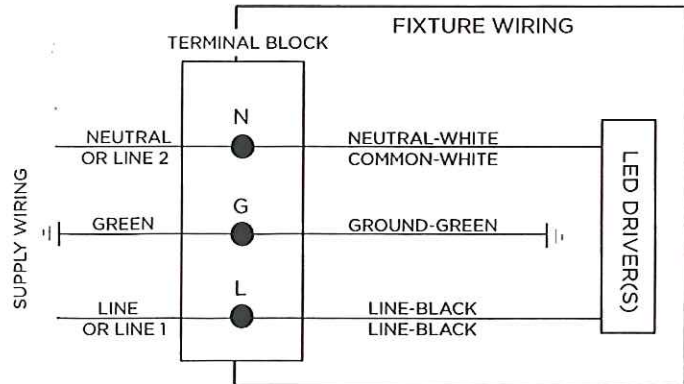
- a. Connect supply ground conductor to green/yellow lead.
- b. Connect supply voltage conductor to black wire lead.
- c. Connect supply neutral conductor to the white lead.

STEP 2:

Push excess supply leads into luminaire.

STEP 3:

Insulate all electrical connections with wire nuts suitable for at least 90°C.



ELECTRICAL CONNECTIONS PHASE TO PHASE WIRING

STEP 1:

Make the following Electrical Connections:

- a. Connect supply ground conductor to green/yellow lead.
- b. Connect supply L1 (Hot) conductor to black lead.
- c. Connect supply L2 (Hot) conductor to the white lead.

STEP 2:

Push excess supply leads into luminaire.

STEP 3:

Insulate all electrical connections with wire nuts suitable for at least 90°C.

