

LED SIGN LIGHT SERIES

BRICKLITE™



LIGHTING
Technologies

DISTRIBUTED BY

FORMETCO®

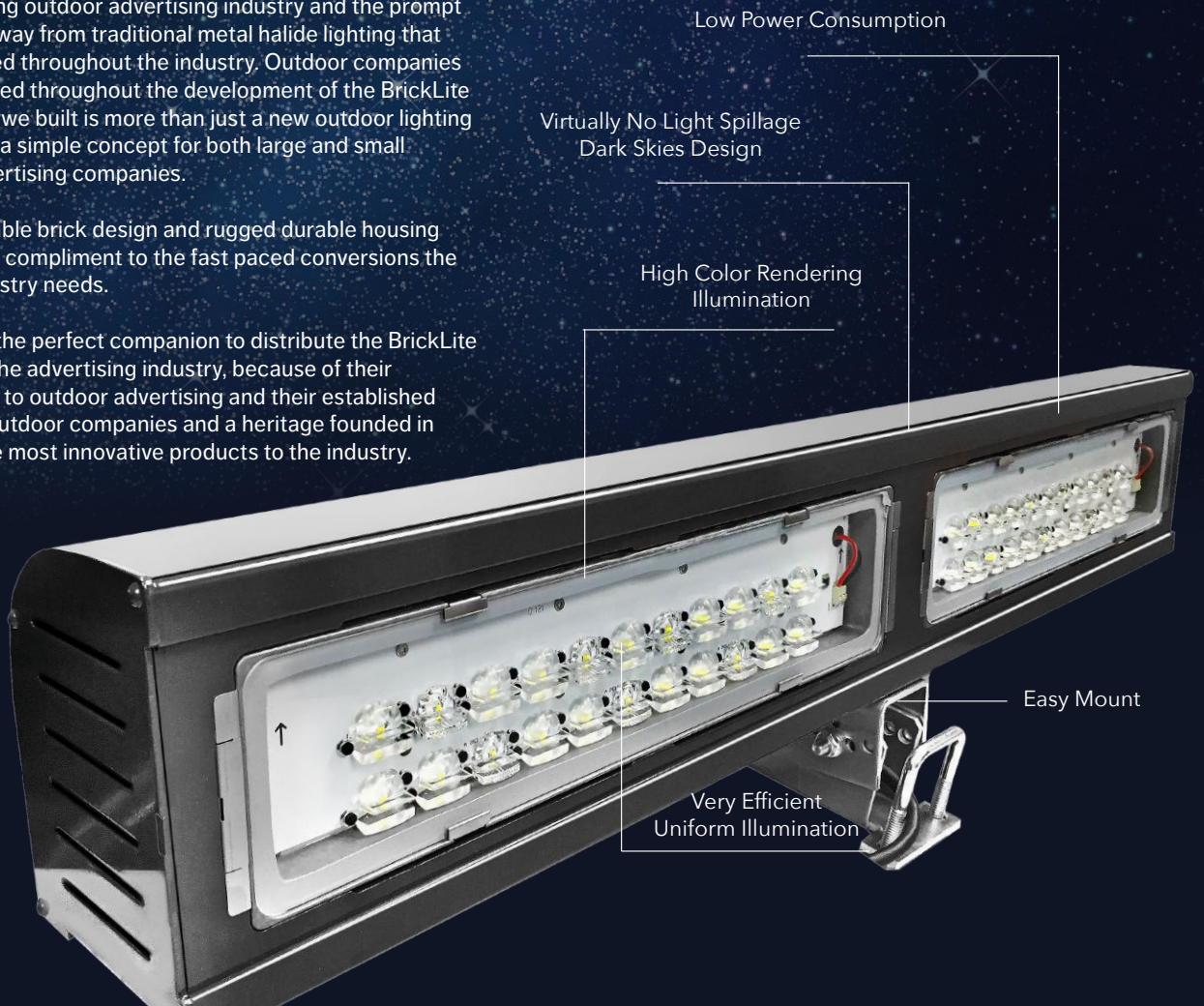
POWERED BY **AdTech**

The BrickLite™ Luminaire. Born for Outdoor, Forged by Experience.

Lighting Technologies core mission is to bring the future of lighting, here, today. The BrickLite Luminaire was inspired by the growing outdoor advertising industry and the prompt movement away from traditional metal halide lighting that has been used throughout the industry. Outdoor companies were consulted throughout the development of the BrickLite series. What we built is more than just a new outdoor lighting solution; but a simple concept for both large and small outdoor advertising companies.

The replaceable brick design and rugged durable housing are a perfect compliment to the fast paced conversions the outdoor industry needs.

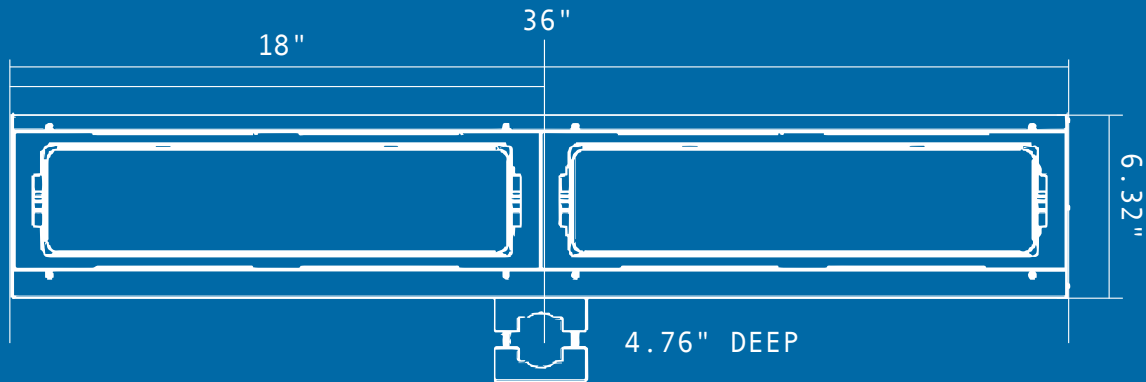
Formetco is the perfect companion to distribute the BrickLite throughout the advertising industry, because of their commitment to outdoor advertising and their established network of outdoor companies and a heritage founded in providing the most innovative products to the industry.



BRICKLITE

OVER 200,000
BRICKS SOLD

Features and Specifications



Type	Part Number	Voltage	Efficiency	Intensity	DLC	
1 Brick	LTBB-7022-NRA-1-3	90-277 VAC	48W	87 lm/W	4350 lm	Yes
2 Brick	LTBB-7022-NRA-1-1	90-277 VAC	98W	84 lm/W	8200 lm	Yes
3 Brick	LTBB-7022-NRA-1-4	90-277 VAC	150W	90 lm/W	13000 lm	Yes

- Low Profile for the least intrusion on your billboard
- Ultra light weight
- LED L70 of 239,000 hrs at 85°C (TM-21) for extended module life
- Powder coated aluminum housing, stainless steel hardware
- UV stabilized optical lens, tempered glass external lens
- Extremely efficient typical 90+ lm/watt optical design
- Integral mounting bracket for 1.5 inch square or round conduit
- Field serviceable design with quick replacement of drive or LED module.
- Luminaire is UL/CUL listed, suitable for wet locations
- UL 8750 certified power supply
- 4,500°K - 5,000°K neutral color temperature.
- -30°C to +74°C operating temperature
- PF >0.9, THD < 15%
- 5 year manufacturer's limited warranty
- 10 foot length power cable



Complies with the Made in America provisions of the ARRA



BRICKLITE™

BY LIGHTING TECHNOLOGIES

Distributed by Formetco, Incorporated.
Connect Now:

Sales and Customer Service:
Toll Free: (800) 367-6382

Email:
sales@formetco.com

Web:
www.formetco.com

Corporate Address:
Formetco Incorporated
2963 Pleasant Hill Road
Duluth, GA 30096 USA

Social Networks:



FORMETCO®

POWERED BY **AdTech**

LIGHTINGPLUS™
FROM FORMETCO

