

4

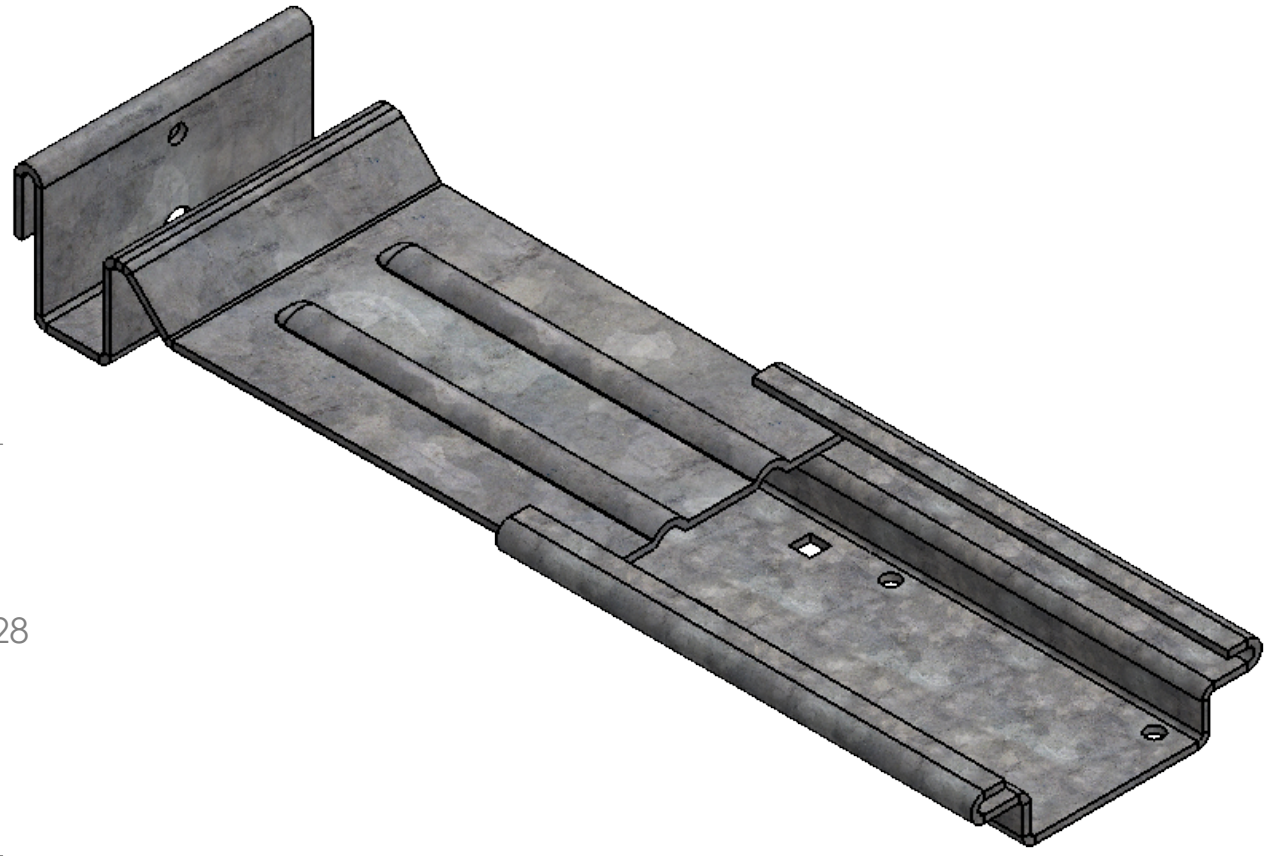
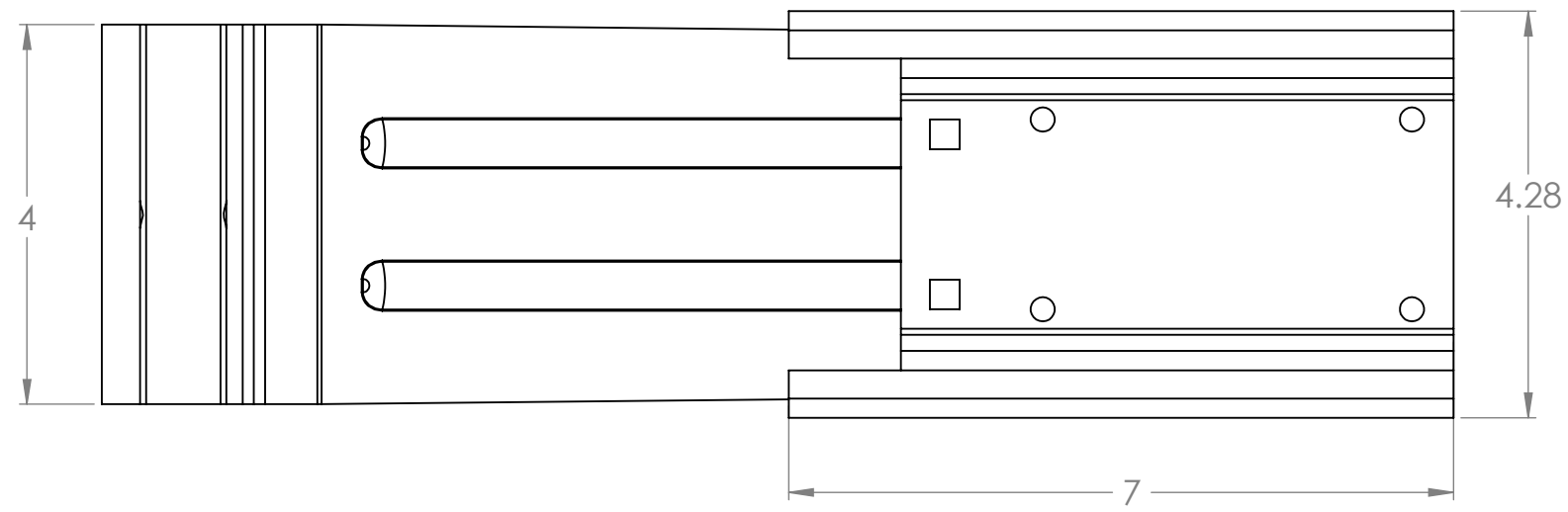
3

2

1

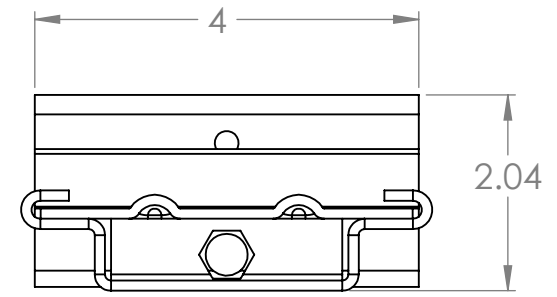
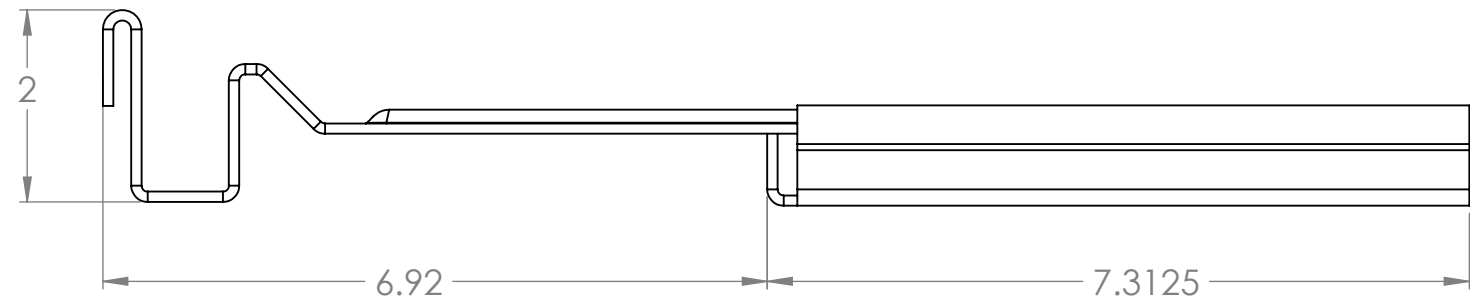
B

B



A

A



UNLESS OTHERWISE SPECIFIED

DIMENSIONS ARE IN INCHES
TOLERANCES
FRACTIONAL ± 1/16"
ANGULAR BEND ± 2°



2963 Pleasant Hill Road
Duluth, GA 30096

PROPRIETARY AND CONFIDENTIAL THE INFORMATION CONTAINED IN THIS DRAWING IS THE SOLE PROPERTY OF FORMETCO. ANY REPRODUCTION IN PART OR AS A WHOLE WITHOUT THE WRITTEN PERMISSION OF FORMETCO IS PROHIBITED.	MATERIAL	12GA STEEL	CREATED	BDJ	DATE	SIZE	DRAWING NUMBER	REVISION
	MATERIAL FINISH	GALVANIZED	10/26/2017 9:34:55 AM			B	RV-VINYL-CLIP	A
DO NOT SCALE DRAWING	UPDATED	Wednesday, January 03, 2018 4:43:57 PM			WEIGHT:	SHEET 1 OF 1		

4

3

2

1